

HIGH DENSITY POLYETHYLENE

PINTYPE INSULATOR

CAT. NO. VIP 35CT-2

1 3/8" PINHOLE

CLASS 55-6 EQUIVALENT

DIMENSIONS

LEAKAGE DISTANCE IN 22.9

MECHANICAL VALUES

CANTILEVER STRENGTH LB 3,000

ELECTRICAL VALUES

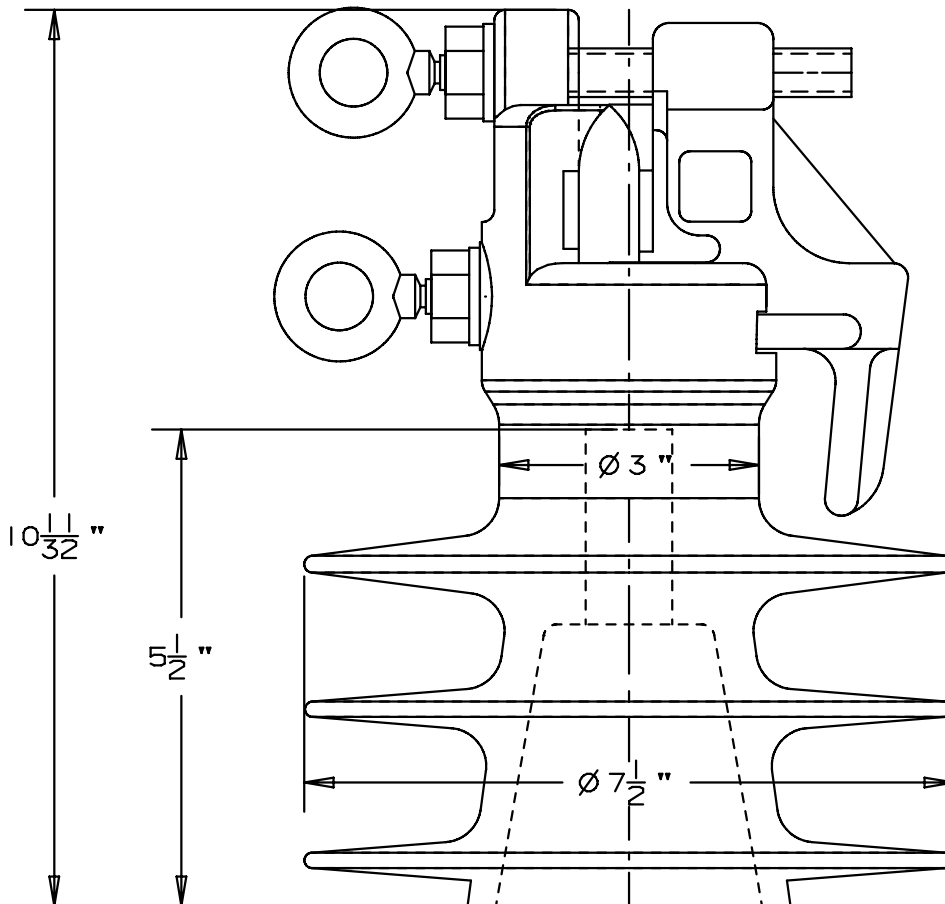
60 HERTZ FLASHOVER-DRY kV 112  
 60 HERTZ FLASHOVER-WET kV 59  
 IMPULSE FLASHOVER-POS kV 172  
 IMPULSE FLASHOVER-NEG kV 215  
 60 HERTZ PUNCTURE VOLTAGE kV 250

RADIO INFLUENCE VOLTAGE DATA

60 HERTZ TEST VOLTAGE TO GRD. kV 10  
 MAXIMUM RIV @ 1000 kHz  $\mu$ V 100

PACKING INFORMATION

NET WEIGHT ,PER 100 LB 312  
 PACKED WEIGHT ,PER 100 LB 325  
 NO. IN STANDARD PACKAGE 9



THIS DRAWING IS THE PROPERTY OF VICTOR INSULATORS, INC. AND CONTAINS PROPRIETARY AND CONFIDENTIAL INFORMATION WHICH MUST NOT BE DUPLICATED, USED, OR DISCLOSED OTHER THAN AS EXPRESSLY AUTHORIZED BY VICTOR INSULATORS, INC.

1 ENG. MGR  
 2 ENG  
 PURCH.  
 1 MKTG.  
 PLT. MGR.  
 COST  
 PROD.  
 INSP  
 GLAZE  
 BUSHING  
 MAKING  
 SHIP  
 ASSEM  
 MODEL  
 MACH.  
 45  
 TOOLING  
 CER LAB  
 1 EL LAB  
 1 E.MEDIA

03-04-08

TM



Victor Insulators, Inc.  
 280 MAPLE AVENUE  
 VICTOR, NEW YORK 14564  
 TELEPHONE: (585)924-2127

VIP 35CT-2