

HIGH DENSITY POLYETHYLENE

PINTYPE INSULATOR

VIP 35F

F-NECK 1" PINHOLE

CLASS 55-6

DIMENSIONS

LEAKAGE DISTANCE IN 21

MECHANICAL VALUES

CANTILEVER STRENGTH LB 3,000

ELECTRICAL VALUES

60 HERTZ FLASHOVER-DRY kV 106
 60 HERTZ FLASHOVER-WET kV 70
 IMPULSE FLASHOVER-POS kV 168
 IMPULSE FLASHOVER-NEG kV 225
 60 HERTZ PUNCTURE VOLTAGE kV 230

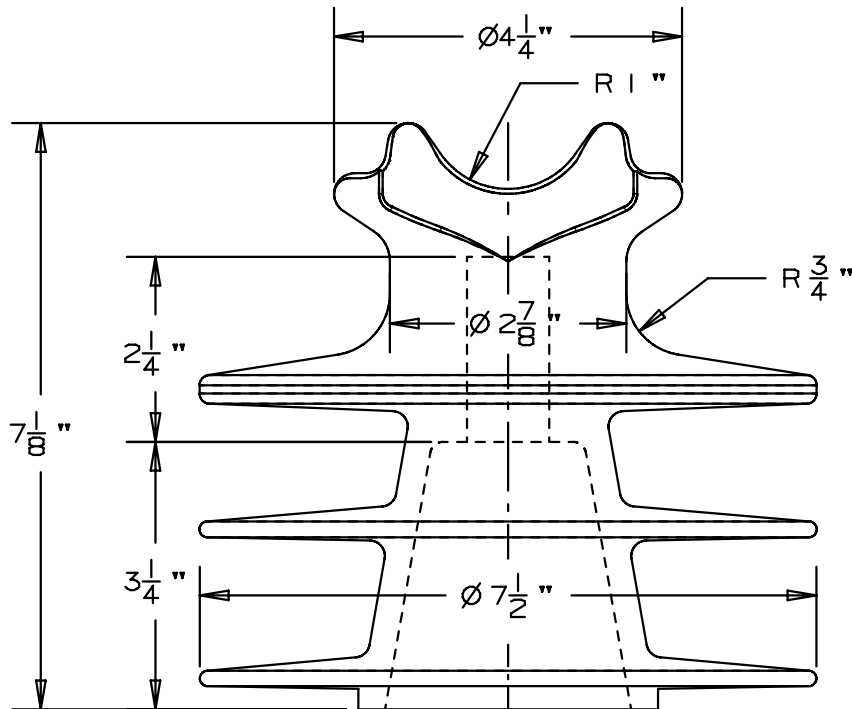
RADIO INFLUENCE VOLTAGE DATA

60 HERTZ TEST VOLTAGE TO GRD. kV 22
 MAXIMUM RIV @ 1000 KHz μ V 100

PACKING INFORMATION

NET WEIGHT , PER 100 LB 250
 PACKED WEIGHT , PER 100 LB 260
 NO. IN STANDARD PACKAGE 9

1 ENG. MGR
 2 ENG
 PURCH.
 1 MKTG.
 PLT.MGR.
 COST
 PROD.
 INSP
 GLAZE
 BUSHING
 MAKING
 SHIP
 ASSEM
 MODEL
 MACH.
 45
 TOOLING
 CER LAB
 1 EL LAB
 1 E.MEDIA



THIS DRAWING IS THE PROPERTY OF VICTOR INSULATORS, INC. AND CONTAINS PROPRIETARY AND CONFIDENTIAL INFORMATION WHICH MUST NOT BE DUPLICATED, USED, OR DISCLOSED OTHER THAN AS EXPRESSLY AUTHORIZED BY VICTOR INSULATORS, INC.

FILE: VIP 35F



Victor Insulators, Inc.
 280 MAPLE AVENUE
 VICTOR, NEW YORK 14564
 TELEPHONE: (585)924-2127

VIP 35F

03-04-08

TM