

30

CLAMP TOP LINE POST
VERTICAL MOUNT
CAT. NO. 62150
15 kV

- 1 ENG. MGR.
- 2 ENG.
- PURCH.
- 1 MKTG.
- PLT. MGR.
- COST
- PROD.
- INSP.
- GLAZE
- BUSHING
- MAKING
- SHIP.
- ASSEM.
- MODEL
- MACH.
- 45
- TOOLING
- CER. LAB.
- 1 EL. LAB.
- 1 E.MEDIA

DIMENSIONS

LEAKAGE DISTANCE	IN	10
DRY ARCING DISTANCE	IN	5

MECHANICAL VALUES

CANTILEVER STRENGTH	LB	2,800
---------------------	----	-------

ELECTRICAL VALUES

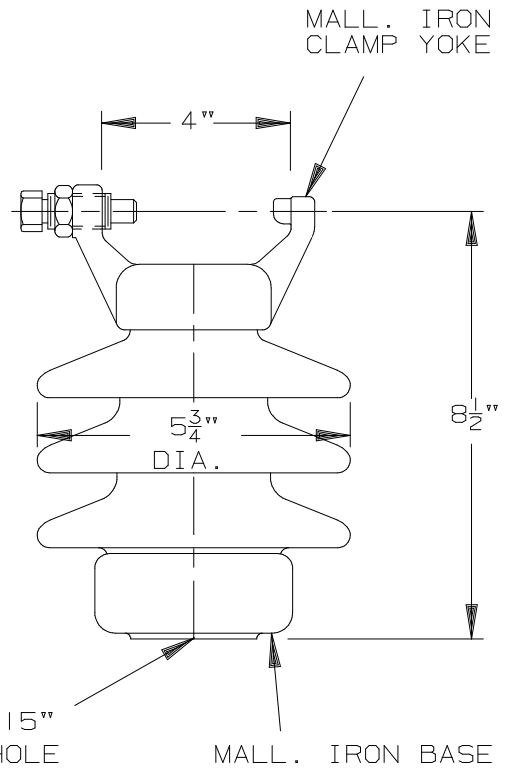
60 HERTZ FLASHOVER-DRY	kV	70
60 HERTZ FLASHOVER-WET	kV	50
IMPULSE FLASHOVER-POS.	kV	100
IMPULSE FLASHOVER-NEG.	kV	125

RADIO INFLUENCE VOLTAGE DATA

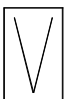
60 HERTZ TEST VOLTAGE	kV	15
MAXIMUM RIV @ 1000 kHz	μ V	50

PACKING INFORMATION

NET WEIGHT PER 100	LB	1,225
PACKED WEIGHT PER 100	LB	1,270
NO. IN STANDARD PACKAGE		3



THIS DRAWING IS THE PROPERTY OF VICTOR INSULATORS, INC. AND CONTAINS PROPRIETARY AND CONFIDENTIAL INFORMATION WHICH MUST NOT BE DUPLICATED, USED, OR DISCLOSED OTHER THAN AS EXPRESSLY AUTHORIZED BY VICTOR INSULATORS, INC.

	Victor Insulators, Inc. 280 MAPLE AVENUE VICTOR, NEW YORK 14564 TELEPHONE: (716)924-2127	62150
	5-19-98 DF PP RG	