

30

CLAMP TOP LINE POST

VERTICAL MOUNTING

45kV CAT. NO. 62156

ANSI CLASS 57-13

1 ENG. MGR.  
2 ENG.  
PURCH.  
1 MKTG.  
COST  
PROD.  
INSP.  
GLAZE  
BUSHING  
MAKING  
SHIP.  
ASSEM.  
MODEL  
MACH.  
45  
TOOLING  
CER. LAB.  
TEL. LAB.  
Q. A.

DIMENSIONS

LEAKAGE DISTANCE IN 29  
DRY ARCING DISTANCE IN 12 1/4

MECHANICAL VALUES

CANTILEVER STRENGTH LB 2,800

ELECTRICAL VALUES

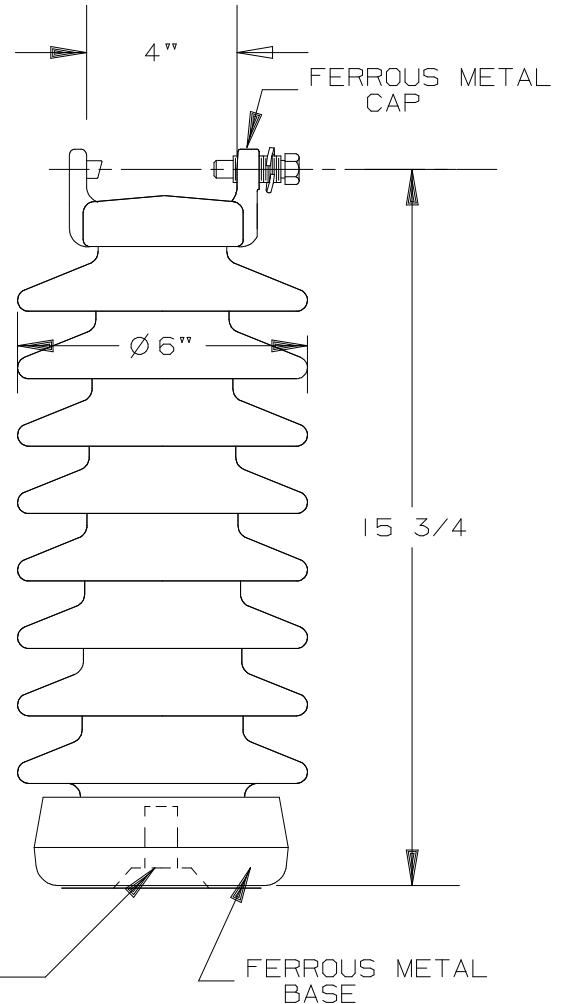
60 HERTZ FLASHOVER-DRY kV 125  
60 HERTZ FLASHOVER-WET kV 95  
IMPULSE FLASHOVER -POS kV 200

RADIO INFLUENCE VOLTAGE DATA

60 HERTZ TEST VOLTAGE  
RMS TO GROUND kV 30  
MAXIMUM RIV @ 1000 kHz  $\mu$ V 200

PACKING INFORMATION

NET WEIGHT PER 100 LB 2531  
PACKED WEIGHT PER 100 LB 2591  
NO. IN STANDARD PACKAGE 2



THIS DRAWING IS THE PROPERTY OF VICTOR INSULATORS, INC. AND CONTAINS PROPRIETARY AND CONFIDENTIAL INFORMATION WHICH MUST NOT BE DUPLICATED, USED OR DISCLOSED OTHER THAN AS EXPRESSLY AUTHORIZED BY VICTOR INSULATORS, INC.

7-9-98	DF	PP	AS	B	 <p>Victor Insulators, Inc. 280 MAPLE AVENUE VICTOR, NEW YORK 14564 TELEPHONE: (716)924-2127</p>	62156
5-30-97	MM	PP	A			
7-25-96	MM	PP				

SUPERSEDES DWG. 62156 DATED 8-20-79

62156