

30

PIN POST INSULATOR

CAT. NO. 43R

F-NECK 1" PINHOLE

25 kV

ENG. MGR.
ENG.
MKTG.
EL. LAB

DIMENSIONS

LEAKAGE DISTANCE	IN	15.5
DRY ARCHING DISTANCE	IN	9
MINIMUM PIN HEIGHT	IN	5

MECHANICAL VALUES

CANTILEVER STRENGTH	LB	3,000
---------------------	----	-------

ELECTRICAL VALUES

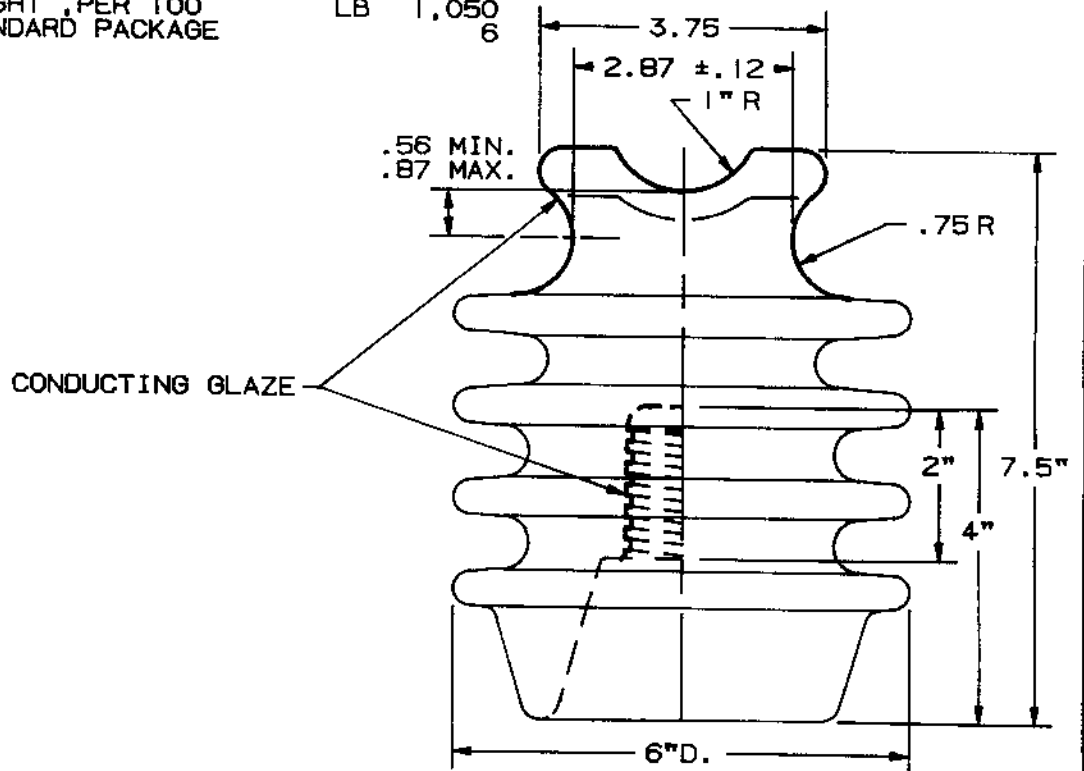
60 HERTZ FLASHOVER-DRY	kV	100
60 HERTZ FLASHOVER-WET	kV	70
IMPULSE FLASHOVER-POS.	kV	155
IMPULSE FLASHOVER-NEG.	kV	190
60 HERTZ PUNCTURE VOLTAGE	kV	160

RADIO INFLUENCE VOLTAGE DATA

60 HERTZ TEST VOLTAGE TO GND.	kV	20
MAXIMUM RIV @ 1000 kHz	μ V	100

PACKING INFORMATION

NET WEIGHT , PER 100	LB	1,000
PACKED WEIGHT , PER 100	LB	1,050
NO. IN STANDARD PACKAGE		6



THIS DRAWING IS THE PROPERTY OF
 VICTOR INSULATORS, INC. AND CONTAINS
 PROPRIETARY AND CONFIDENTIAL INFORMATION
 WHICH MUST NOT BE REPRODUCED,
 COPIED, OR DISCLOSED OTHER THAN AS EXPRESSLY
 AUTHORIZED BY VICTOR INSULATORS, INC.



Victor Insulators, Inc.
 280 MAPLE AVENUE
 MAIL: P.O. BOX B, VICTOR, NEW YORK 14584
 TELEPHONE: (716)924-2127

43R

10-11-94

RR [Signature]