

30

DISTRIBUTION INSULATOR

CAT. NO. VI 609R

F-NECK 1" PINHOLE

ANSI CLASS 55-5

1 ENG. MGR.
2 ENG.
1 MKTG.
1 EL. LAB

DIMENSIONS

LEAKAGE DISTANCE IN 12

MECHANICAL VALUES

CANTILEVER STRENGTH LB 3,000

ELECTRICAL VALUES

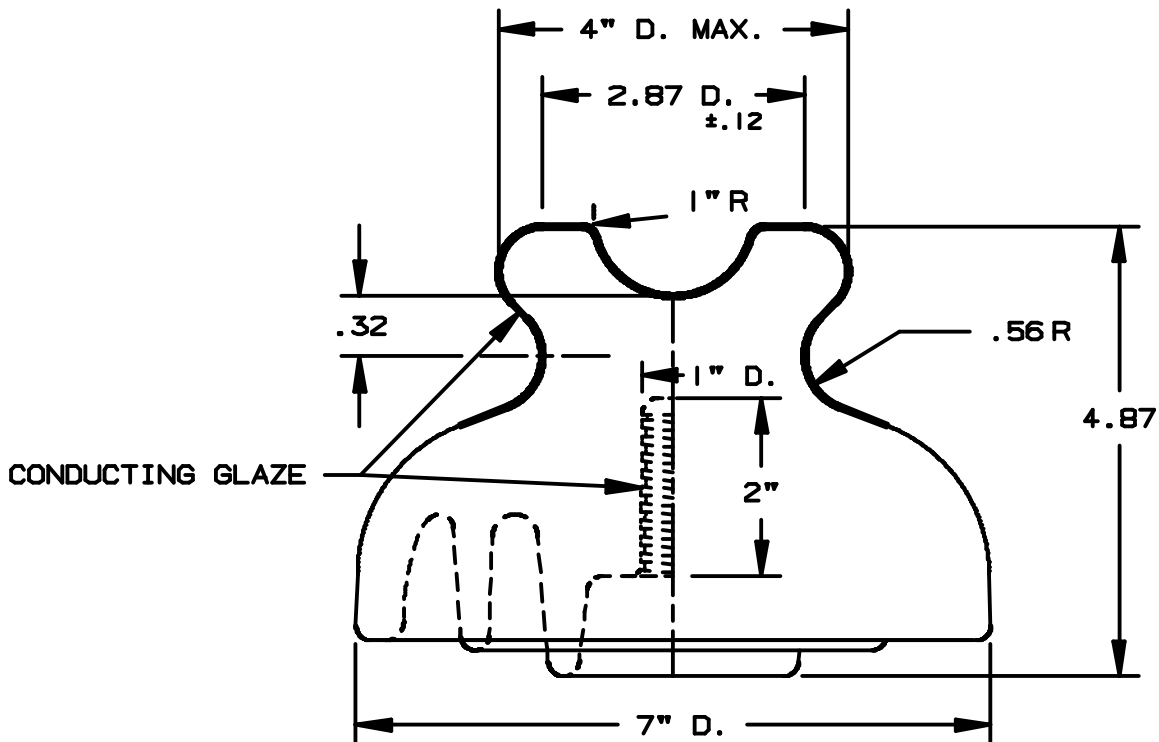
60 HERTZ FLASHOVER - DRY kV 80
60 HERTZ FLASHOVER - WET kV 45
IMPULSE FLASHOVER - POS. kV 130
IMPULSE FLASHOVER - NEG. kV 150
60 HERTZ PUNCTURE VOLTAGE kV 115

RADIO INFLUENCE VOLTAGE DATA

60 HERTZ TEST VOLTAGE kV 15
MAXIMUM RIV @ 1000 kHz μ V 100

PACKING INFORMATION

NET WEIGHT , PER 100 LB 608
PACKED WEIGHT , PER 100 LB 643
NO. IN STANDARD PACKAGE 6



THIS DRAWING IS THE PROPERTY OF VICTOR INSULATORS, INC. AND CONTAINS PROPRIETARY AND CONFIDENTIAL INFORMATION WHICH MUST NOT BE DUPLICATED, USED, OR DISCLOSED OTHER THAN AS EXPRESSLY AUTHORIZED BY VICTOR INSULATORS, INC.

02-14-02

TM AS B

01-04-02

TM A

V INSULATORS
VICTOR INSULATORS, INC.
280 MAPLE AVENUE
VICTOR, NEW YORK 14564
TELEPHONE: (716)924-2127

VI 609R