

19

DIMENSIONS

LEAKAGE DISTANCE	IN	13
DRY ARCING DISTANCE	IN	7
MINIMUM PIN HEIGHT	IN	6

HIGH VOLTAGE PIN TYPE

CAT. NO. VI 627R

J-NECK 1 3/8" PINHOLE

ANSI CLASS 56-1

1 ENG. MGR.

MECHANICAL VALUES

2 ENG.

PURCH.	CANTILEVER STRENGTH	LB	2,500
--------	---------------------	----	-------

1 MKTG.

ELECTRICAL VALUES

PLT. MGR.

COST	IMPULSE FLASHOVER-POS.	kV	150
PROD.	IMPULSE FLASHOVER-NEG.	kV	190
INSP.	60 HERTZ FLASHOVER-WET	kV	60
	60 HERTZ FLASHOVER-DRY	kV	95
	60 HERTZ PUNCTURE VOLTAGE	kV	130

GLAZE

RADIO INFLUENCE VOLTAGE DATA

BUSHING

MAKING	60 HERTZ TEST VOLTAGE	kV	15
SHIP.	MAXIMUM RIV ϕ 1000 kHz	μ V	100

ASSEM.

PACKING INFORMATION

MODEL

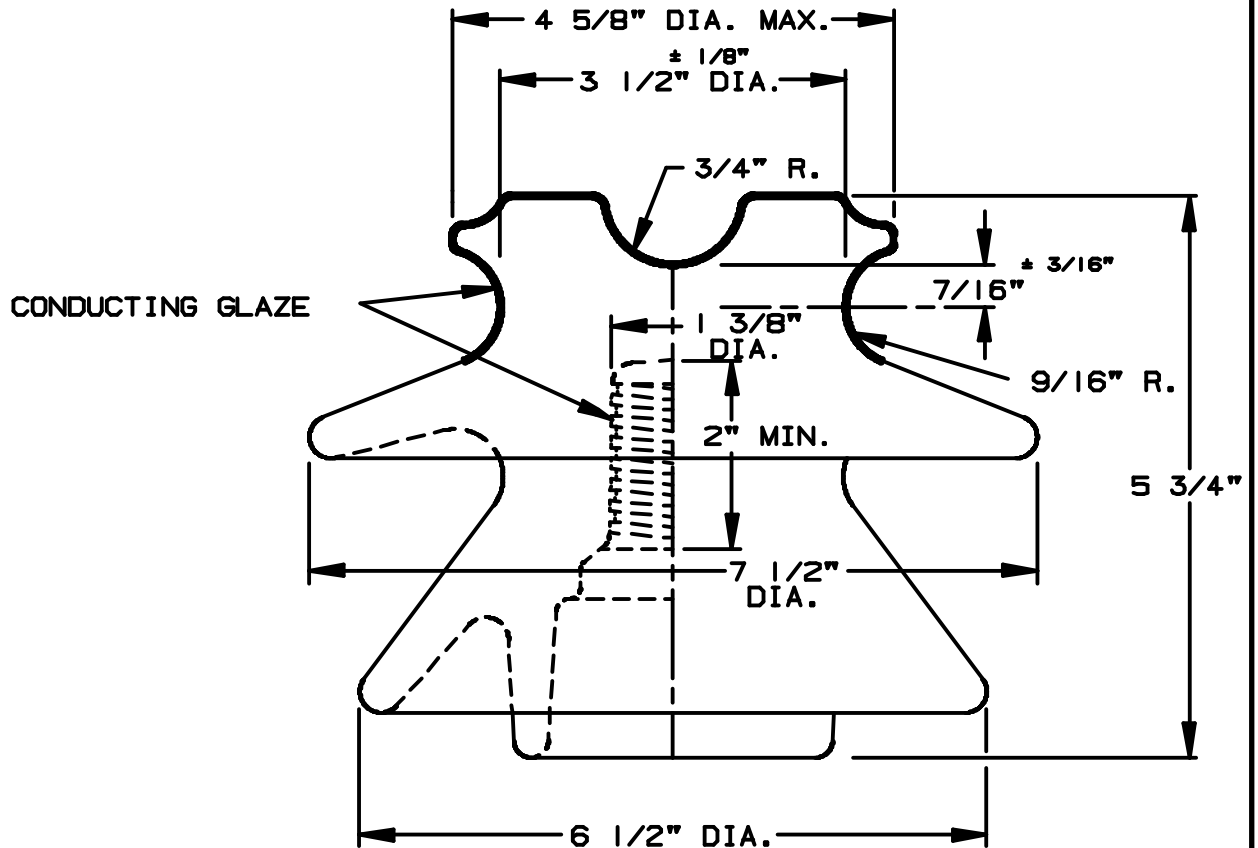
MACH.	NET WEIGHT PER 100	LB	750
45	PACKED WEIGHT PER 100	LB	800
	NO. IN STANDARD PACKAGE		8

TOOLING

CER. LAB.

1 EL. LAB.

Q.A.



THIS DRAWING IS THE PROPERTY OF VICTOR INSULATORS, INC. AND CONTAINS PROPRIETARY AND CONFIDENTIAL INFORMATION WHICH MUST NOT BE DUPLICATED, USED, OR DISCLOSED OTHER THAN AS EXPRESSLY AUTHORIZED BY VICTOR INSULATORS, INC.

V INSULATORS
 VICTOR INSULATORS, INC.
 280 MAPLE AVENUE
 VICTOR, NEW YORK 14564
 TELEPHONE: (716)924-2127

VI 627R

02-14-02

TM AS A