

19

HIGH VOLTAGE PIN TYPE  
 CAT. NO. VI 633R  
 "K NECK"  
 ANSI CLASS NO. 56-2

- 1 ENG. MGR
- 2 ENG
- PURCH.
- 1 MKTG.
- PLT.MGR.
- COST
- PROD.
- INSP
- GLAZE
- BUSHING
- MAKING
- SHIP
- ASSEM
- MODEL
- MACH.
- 45
- TOOLING
- CER LAB
- 1 EL LAB
- 1 E.MEDIA

DIMENSIONS

LEAKAGE DISTANCE	IN	17
DRY ARCING DISTANCE	IN	8.25
MINIMUM PIN HEIGHT	IN	7

MECHANICAL VALUES

CANTILEVER STRENGTH	LB	3,000
---------------------	----	-------

ELECTRICAL VALUES

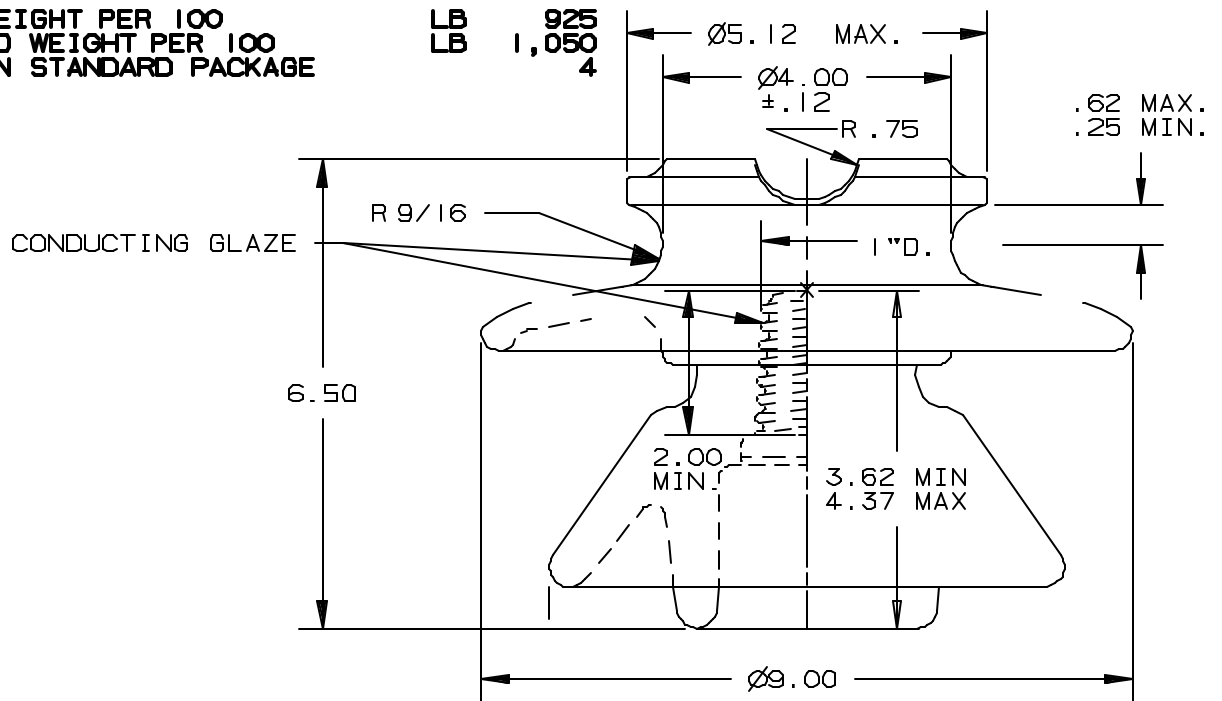
60 HERTZ FLASHOVER-DRY	kV	110
60 HERTZ FLASHOVER-WET	kV	70
IMPULSE FLASHOVER-POS.	kV	175
IMPULSE FLASHOVER-NEG.	kV	225
60 HERTZ PUNCTURE VOLTAGE	kV	145

RADIO INFLUENCE VOLTAGE DATA

60 HERTZ TEST VOLTAGE RMS TO kV		22
MAXIMUM RIV @ 1000 kHz, PLAIN GRD.	$\mu$ V	12,000
RADIO FREED	$\mu$ V	100

PACKING INFORMATION

NET WEIGHT PER 100	LB	925
PACKED WEIGHT PER 100	LB	1,050
NO. IN STANDARD PACKAGE		4



THIS DRAWING IS THE PROPERTY OF VICTOR INSULATORS, INC. AND CONTAINS PROPRIETARY AND CONFIDENTIAL INFORMATION WHICH MUST NOT BE REPLICATED, USED OR DISCLOSED OTHER THAN AS EXPRESSLY AUTHORIZED BY VICTOR INSULATORS, INC.

FILE: VI 633R

**V** INSULATORS  
 VICTOR INSULATORS, INC.  
 280 MAPLE AVENUE  
 VICTOR, NEW YORK 14564  
 TELEPHONE: (585)924-2127

VI 633R