

PIN TYPE INSULATOR

CAT. NO. VI 645R

ANSI. CLASS NO. 56-3

"K" NECK

19

DIMENSIONS

LEAKAGE DISTANCE	IN	21
DRY ARCHING DISTANCE	IN	9.5
MINIMUM PIN HEIGHT	IN	8

MECHANICAL VALUES

CANTILEVER STRENGTH	LB	3,000
---------------------	----	-------

ELECTRICAL VALUES

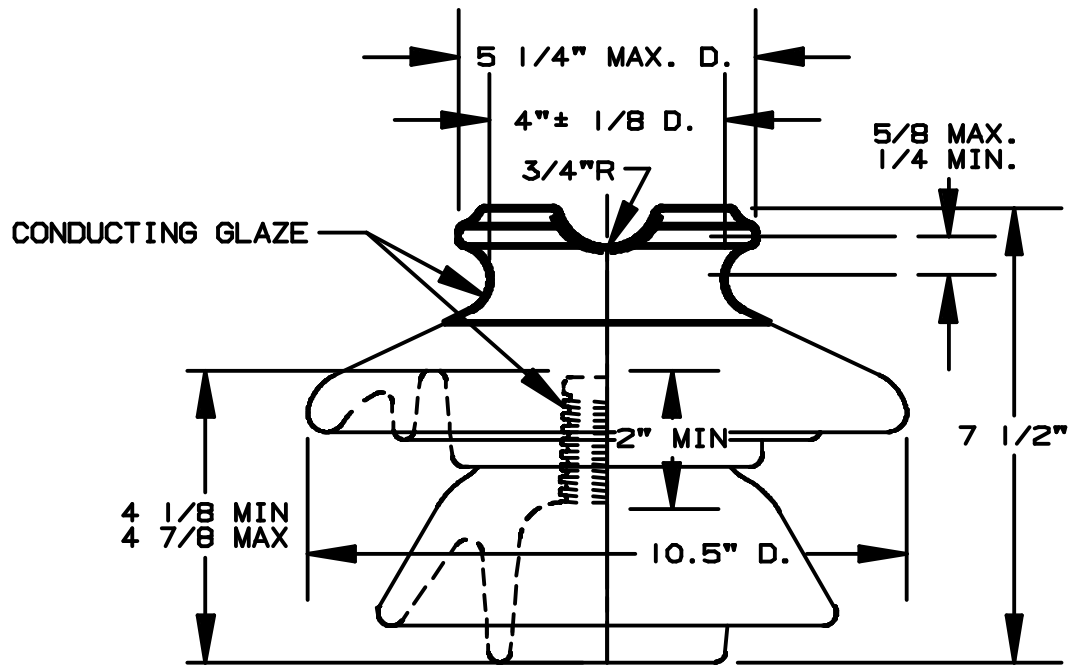
60 HERTZ FLASHOVER-DRY	kV	125
60 HERTZ FLASHOVER-WET	kV	80
IMPULSE FLASHOVER-POS.	kV	200
IMPULSE FLASHOVER-NEG.	kV	265
60 HERTZ PUNCTURE VOLTAGE	kV	165

RADIO INFLUENCE VOLTAGE DATA

60 HERTZ TEST VOLTAGE TO GND.	kV	30
MAXIMUM RIV ϕ 1000 KHz		
RADIO FREE	μ V	200

PACKING INFORMATION

NET WEIGHT , PER 100	LB	1,550
PACKED WEIGHT , PER 100	LB	1650
NO. IN STANDARD PACKAGE		2



THIS DRAWING IS THE PROPERTY OF VICTOR INSULATORS, INC. AND CONTAINS PROPRIETARY AND CONFIDENTIAL INFORMATION WHICH IS NOT TO BE REPRODUCED, COPIED, OR DISCLOSED OTHER THAN AS EXPRESSLY AUTHORIZED BY VICTOR INSULATORS, INC.

FILE: VI 645R

V INSULATORS
 VICTOR INSULATORS, INC.
 280 MAPLE AVENUE
 VICTOR, NEW YORK 14564
 TELEPHONE: (716)924-2127

VI 645R

02-15-02

TM AS