

POLYMER (EPDM) INSULATOR

CAT. NO. 8035

35 kV ANSI CLASS DS-35

25

- | ENG. MGR
- | ENG
- | PURCH.
- | MKTG.
- PLT. MGR.
- COST
- PROD.
- INSP
- GLAZE
- BUSHING
- MAKING
- SHIP
- ASSEM
- MODEL
- MACH.
- 45
- TOOLING
- CER LAB
- | EL LAB
- Q. A.

DIMENSIONS

LEAKAGE DISTANCE IN 36.1
 DRY ARCING DISTANCE IN 15.3

MECHANICAL VALUES

SPECIFIED MECHANICAL LOAD LB 15,000
 TORSIONAL LOAD FT-LB 40

ELECTRICAL VALUES

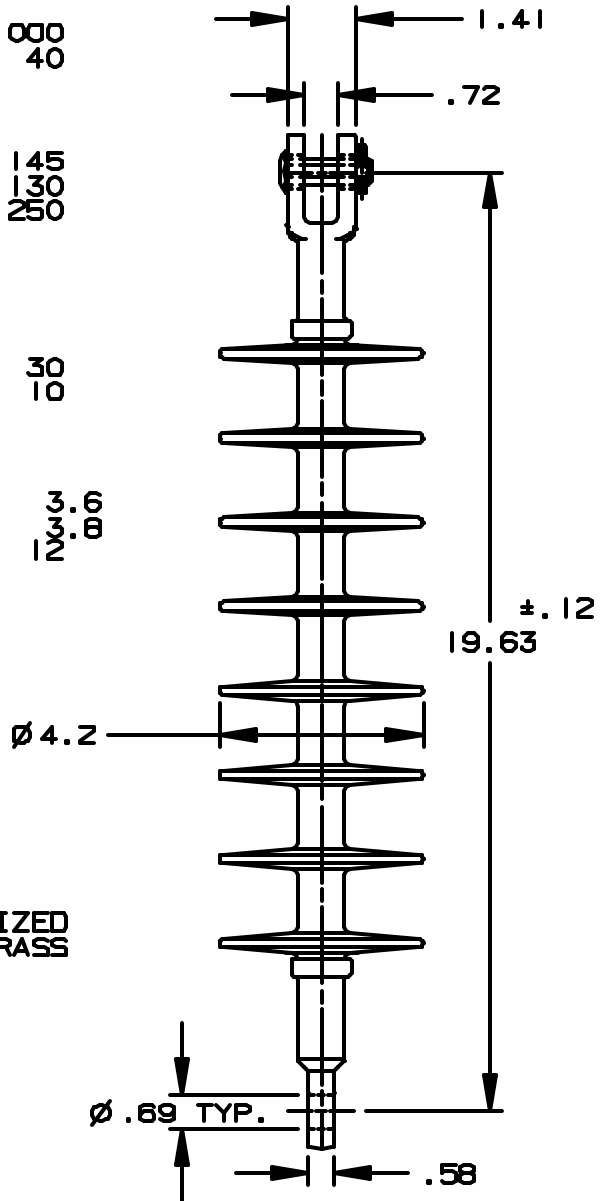
60 HERTZ FLASHOVER-DRY kV 145
 60 HERTZ FLASHOVER-WET kV 130
 IMPULSE FLASHOVER-POS. kV 250

RADIO INFLUENCE VOLTAGE DATA

60 HERTZ TEST VOLTAGE kV 30
 MAXIMUM RIV @ 1000 kHz μ V 10

PACKING INFORMATION

NET WEIGHT EACH LB 3.6
 PACKED WEIGHT EACH LB 3.8
 NO. IN STANDARD PACKAGE 12



NOTE:
 THIS ASSEMBLY USES A GALVANIZED
 STEEL HEX COTTER BOLT AND A BRASS
 SPRING COTTER KEY.

THIS DRAWING IS THE PROPERTY OF
 VICTOR INSULATORS, INC. AND CONTAINS
 PROPRIETARY AND CONFIDENTIAL INFORMATION
 WHICH MUST NOT BE DUPLICATED, USED,
 OR DISCLOSED OTHER THAN AS EXPRESSLY
 AUTHORIZED BY VICTOR INSULATORS, INC.



Victor Insulators, Inc.
 280 MAPLE AVENUE
 VICTOR, NEW YORK 14564
 TELEPHONE: (716) 924-2127

8035

03-07-02 PPI/AS