

POLYMER (SILICONE) INSULATOR

CAT. NO.8215

15 kV ANSI CLASS DS-15

25

ENG. MGR  
 ENG  
 PURCH.  
 MKTG.  
 PLT.MGR.  
 COST  
 PROD.  
 INSP  
 GLAZE  
 BUSHING  
 MAKING  
 SHIP  
 ASSEM  
 MODEL  
 MACH.  
 45  
 TOOLING  
 CER LAB  
 EL LAB  
 Q. A.

DIMENSIONS

LEAKAGE DISTANCE IN 16  
 DRY ARCING DISTANCE IN 8

MECHANICAL VALUES

SPECIFIED MECHANICAL LOAD LB 15,000  
 TORSIONAL LOAD FT-LB 40

ELECTRICAL VALUES

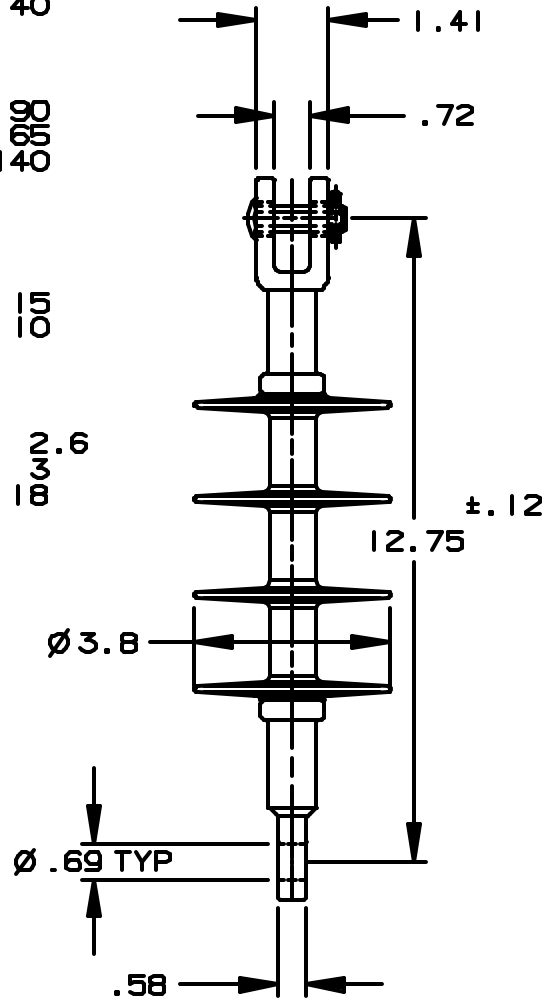
60 HERTZ FLASHOVER-DRY kV 90  
 60 HERTZ FLASHOVER-WET kV 65  
 IMPULSE FLASHOVER-POS. kV 140

RADIO INFLUENCE VOLTAGE DATA

60 HERTZ TEST VOLTAGE kV 15  
 MAXIMUM RIV @ 1000 kHz  $\mu$ V 10

PACKING INFORMATION

NET WEIGHT ,EACH LB 2.6  
 PACKED WEIGHT ,EACH LB 3  
 NO. IN STANDARD PACKAGE 18



NOTE:  
 THIS ASSEMBLY USES A GALVANIZED  
 STEEL HEX COTTER BOLT AND A BRASS  
 SPRING COTTER KEY.

THIS DRAWING IS THE PROPERTY OF  
 VICTOR INSULATORS, INC. AND CONTAINS  
 PROPRIETARY AND CONFIDENTIAL INFORMATION  
 WHICH MUST NOT BE DUPLICATED, USED,  
 OR DISCLOSED OTHER THAN AS EXPRESSLY  
 AUTHORIZED BY VICTOR INSULATORS, INC.



Victor Insulators, Inc.

280 MAPLE AVENUE  
 VICTOR, NEW YORK 14564  
 TELEPHONE: (716)924-2127

8215

03-08-02 PPAAS