

GUY STRAIN INSULATOR

CAT. NO. VI 4656

ANSI CLASS 54-4

16

- 1 ENG. MGR
- 2 ENG
- PURCH.
- 1 MKTG.
- PLT. MGR.
- COST
- PROD.
- INSP
- GLAZE
- BUSHING
- MAKING
- SHIP
- ASSEM
- MODEL
- MACH.
- 45
- TOOLING
- CER LAB
- 1 EL LAB
- Q. A.

DIMENSIONS

LEAKAGE DISTANCE IN 3.00  
 MAXIMUM CABLE DIA. IN .62

MECHANICAL VALUES

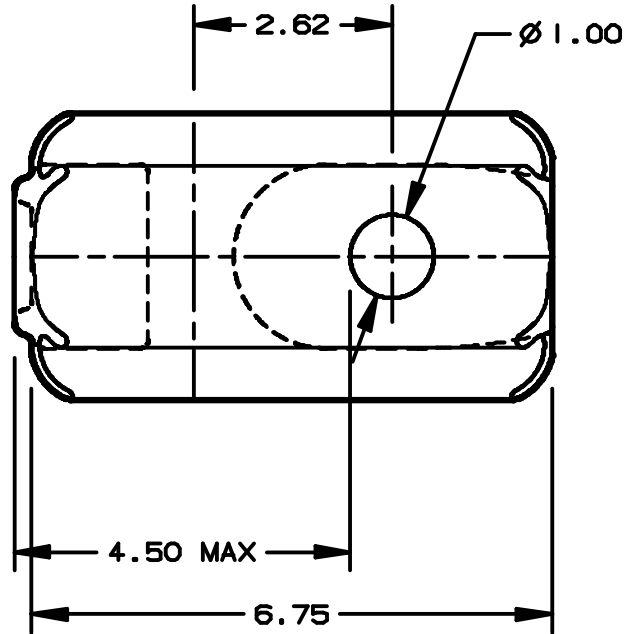
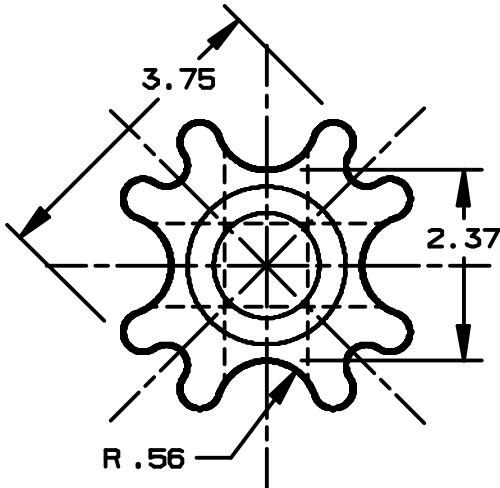
TENSILE STRENGTH LB 20,000

ELECTRICAL VALUES

60 HERTZ FLASHOVER-DRY kV 40  
 60 HERTZ FLASHOVER-WET kV 23

PACKING INFORMATION

NET WEIGHT PER 100 LB 439  
 PACKED WEIGHT PER 100 LB 455  
 NO. IN STANDARD PACKAGE 8



THIS DRAWING IS THE PROPERTY OF VICTOR INSULATORS, INC. AND CONTAINS PROPRIETARY AND CONFIDENTIAL INFORMATION WHICH MUST NOT BE DUPLICATED, USED OR DISCLOSED, OTHER THAN AS EXPRESSLY AUTHORIZED BY VICTOR INSULATORS, INC.

**V** INSULATORS  
 VICTOR INSULATORS, INC.  
 280 MAPLE AVENUE  
 VICTOR, NEW YORK 14564  
 TELEPHONE: (716)924-2127

VI 4656

03-18-02

TMPPAS