

30

|               |            |
|---------------|------------|
| STATION POST  |            |
| CAT. NO. 1751 |            |
| 15 kV         | 110 kV BIL |
| TR. NO. 205   |            |

ENG. MGR.  
 2 ENG.  
 PURCH.  
 MKTG.  
 PLT. MGR.  
 COST  
 PROD.  
 INSP.  
 GLAZE  
 BUSHING  
 MAKING  
 SHIP.  
 ASSEM.  
 MODEL  
 MACH.  
 45  
 TOOLING  
 CER. LAB.  
 EL. LAB.  
 Q.A.

DIMENSIONS

LEAKAGE DISTANCE IN 15.5

MECHANICAL VALUES

|                                |       |        |
|--------------------------------|-------|--------|
| CANTILEVER STRENGTH, UPRIGHT   | LB    | 2,000  |
| CANTILEVER STRENGTH, UNDERHUNG | LB    | 2,000  |
| TENSION STRENGTH               | LB    | 8,500  |
| TORSION STRENGTH               | IN-LB | 7,000  |
| COMPRESSION STRENGTH           | LB    | 10,000 |

ELECTRICAL VALUES

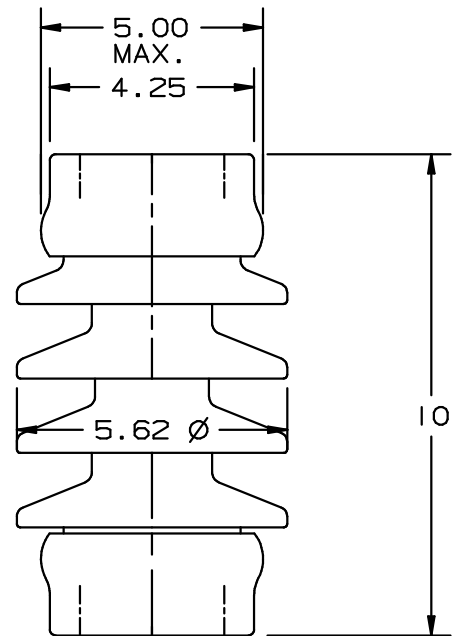
|                        |    |     |
|------------------------|----|-----|
| IMPULSE FLASHOVER-POS. | kV | 125 |
| 60 HERTZ WITHSTAND-WET | kV | 45  |
| IMPULSE WITHSTAND      | kV | 110 |

RADIO INFLUENCE VOLTAGE DATA

|                            |         |    |
|----------------------------|---------|----|
| RIV TEST VOLTAGE TO GROUND | kV      | 10 |
| MAXIMUM RIV @ 1000 kHz     | $\mu$ V | 50 |

PACKING INFORMATION

|                         |    |      |
|-------------------------|----|------|
| NET WEIGHT, EACH        | LB | 14.5 |
| PACKED WEIGHT, EACH     | LB | 15.9 |
| NO. IN STANDARD PACKAGE |    | 3    |



4 HOLES EACH END  
 1/2-13 + .015" ON 3" B.C.

THIS DRAWING IS THE PROPERTY OF VICTOR INSULATORS, INC. AND CONTAINS PROPRIETARY AND CONFIDENTIAL INFORMATION WHICH MUST NOT BE DUPLICATED, USED, OR DISCLOSED OTHER THAN AS EXPRESSLY AUTHORIZED BY VICTOR INSULATORS, INC.

03-22-94

RR PP AS



Victor Insulators, Inc.  
 280 MAPLE AVENUE  
 VICTOR, NEW YORK 14564  
 TELEPHONE: (716)924-2127

1751