

STATION POST

CAT. NO. 17PA26

138 kV

650 kV BIL

TR NO. 289

30

ENG. MGR  
 ENG  
 PURCH.  
 MKTG.  
 PLT. MGR.  
 COST  
 PROD.  
 INSP  
 GLAZE  
 BUSHING  
 MAKING  
 SHIP  
 ASSEM  
 MODEL  
 MACH.  
 45  
 TOOLING  
 CER LAB  
 EL LAB  
 Q. A.

DIMENSIONS

LEAKAGE DISTANCE IN 116

4 HOLES EACH END  
 5/8-11 + .015 ON 5" B.C.

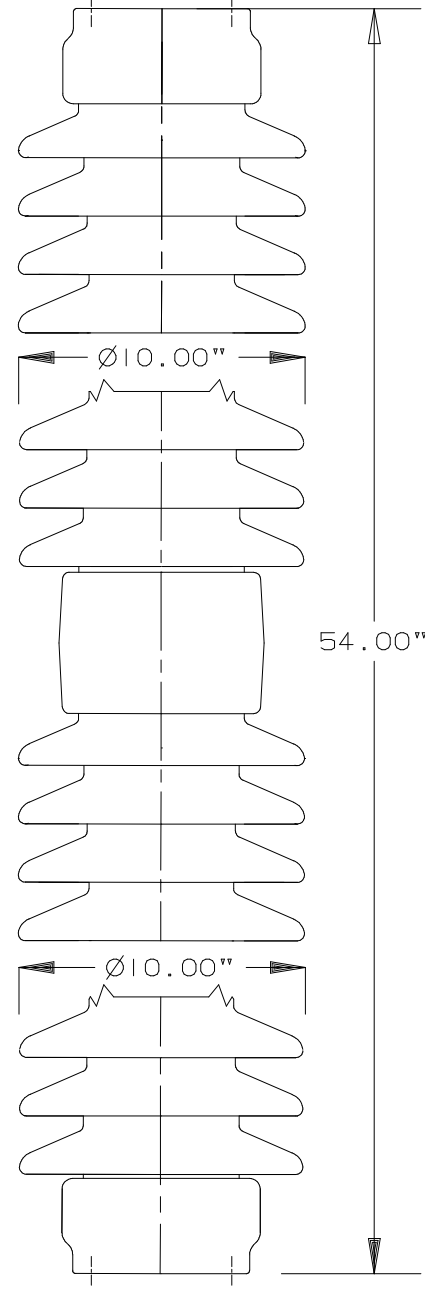
MECHANICAL VALUES

CANTILEVER STRENGTH LB 2,200  
 TENSILE STRENGTH LB 25,000  
 TORSION STRENGTH IN-LB 90,000  
 COMPRESSION STRENGTH LB 75,000



ELECTRICAL VALUES

60 HERTZ WITHSTAND-WET kV 275  
 IMPULSE FLASHOVER-POS. kV 710  
 IMPULSE WITHSTAND kV 650



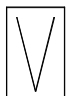
RADIO INFLUENCE VOLTAGE DATA

60 HERTZ TEST VOLTAGE TO GRD. kV 88  
 MAXIMUM RIV @ 1000 kHz  $\mu$ V 200

PACKING INFORMATION

NET WEIGHT , EACH LB 220  
 PACKED WEIGHT , EACH LB 236  
 NO. IN STANDARD PACKAGE 1

THIS DRAWING IS THE PROPERTY OF  
 VICTOR INSULATORS, INC. AND CONTAINS  
 PROPRIETARY AND CONFIDENTIAL INFORMATION  
 WHICH MUST NOT BE DUPLICATED, USED,  
 OR DISCLOSED OTHER THAN AS EXPRESSLY  
 AUTHORIZED BY VICTOR INSULATORS, INC.

	<b>Victor Insulators, Inc.</b> 280 MAPLE AVENUE VICTOR, NEW YORK 14564 TELEPHONE: (716)924-2127	17PA26
	6-22-95      CW PP AS	

FILE 17PA26