

SUSPENSION INSULATOR

CATALOG NO. VI 52-1

ANSI CLASS 52-1

25

DIMENSIONS

LEAKAGE DISTANCE	IN	7
DRY ARCING DISTANCE	IN	4.5

MECHANICAL VALUES

M & E STENGTH	LB	10,000
IMPACT STENGTH	IN-LB	45
TIME LOAD TEST	LB	6,000
ROUTINE PROOF TEST LOAD	LB	5,000

ELECTRICAL VALUES

60 HERTZ FLASHOVER-DRY	kV	60
60 HERTZ FLASHOVER-WET	kV	30
IMPULSE FLASHOVER -POS.	kV	100
IMPULSE FLASHOVER -NEG.	kV	100
60 HERTZ PUNCTURE VOLTAGE	kV	80

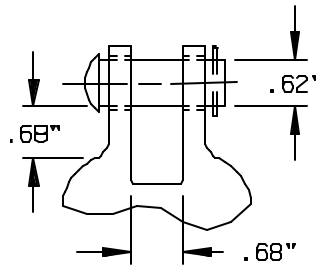
RADIO INFLUENCE VOLTAGE DATA

60 HERTZ TEST VOLTAGE	kV	7.5
MAXIMUM RIV @ 1000 kHz	μV	50

PACKING INFORMATION

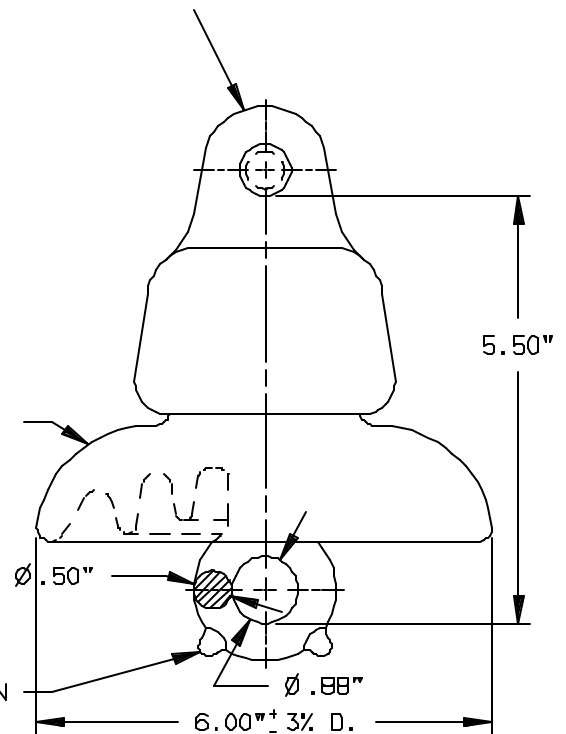
NET WEIGHT PER 100	LB	567
PACKED WEIGHT PER 100	LB	600
STANDARD PACKAGE		12

GALV. MALL. IRON CAP



WET PROCESS PORCELAIN

GALV. FORGED STEEL PIN



THIS DRAWING IS THE PROPERTY OF VICTOR INSULATORS, INC. AND CONTAINS PROPRIETARY AND CONFIDENTIAL INFORMATION WHICH MUST NOT BE DUPLICATED, USED, OR DISCLOSED OTHER THAN AS EXPRESSLY AUTHORIZED BY VICTOR INSULATORS, INC.

FILE: VI 52-1

**VI** INSULATORS  
 VICTOR INSULATORS, INC.  
 280 MAPLE AVENUE  
 VICTOR, NEW YORK 14564  
 TELEPHONE: (585)924-2127

VI 52-1