

BALL AND SOCKET SUSPENSION

ANSI CLASS 52-3

CAT NO: VI 52-3

- 1 ENG. MGR
- 2 ENG
- PURCH.
- 1 MKTG.
- PLT.MGR.
- COST
- PROD.
- INSP
- GLAZE
- BUSHING
- MAKING
- SHIP
- ASSEM
- MODEL
- MACH.
- 45
- TOOLING
- CER LAB
- 1 EL LAB
- 1 E. MEDIA

DIMENSIONS

LEAKAGE DISTANCE IN 11.5 mm 292

MECHANICAL VALUES

M & E STRENGTH	LB	15,000	kN	67
IMPACT STRENGTH	IN-LB	55	N-m	6.0
TENSION PROOF	LB	7,500	kN	33.5

ELECTRICAL VALUES

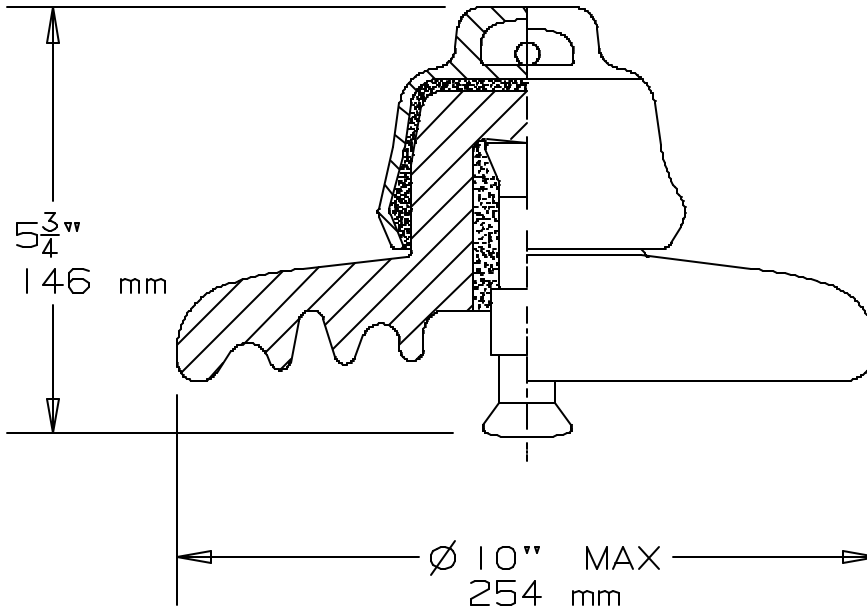
LOW FREQUENCY FLASHOVER VOLTAGE DRY	kV	80
LOW FREQUENCY FLASHOVER VOLTAGE WET	kV	50
CRITICAL IMPULSE FLASHOVER VOLTAGE POSITIVE	kV	125
CRITICAL IMPULSE FLASHOVER VOLTAGE NEG.	kV	130
LOW FREQUENCY PUNCTURE VOLTAGE	kV	110

RADIO INFLUENCE VOLTAGE DATA

LOW FREQUENCY TEST VOLTAGE	kV	10
MAXIMUM RIV @ 1000 kHz	µV	50

PACKING INFORMATION

NET WEIGHT PER 100	LB	1320
PACKED WEIGHT PER 100	LB	1580
STANDARD PACKAGE		6



THIS DRAWING IS THE PROPERTY OF VICTOR INSULATORS, INC. AND CONTAINS PROPRIETARY AND CONFIDENTIAL INFORMATION WHICH MUST NOT BE DUPLICATED, USED OR DISCLOSED OTHER THAN AS EXPRESSLY AUTHORIZED BY VICTOR INSULATORS, INC.

06-30-04

TM AS

A

02-04-04

TM AS



INSULATORS  
VICTOR INSULATORS, INC.  
280 MAPLE AVENUE  
VICTOR, NEW YORK 14564  
TELEPHONE: (585)924-2127

VI 52-3