

25

DIMENSIONS

LEAKAGE DISTANCE IN 7

SUSPENSION INSULATOR

CAT. NO. VI 52-9

ANSI CLASS 52-9

MECHANICAL VALUES

ENG. MGR.	M & E STRENGTH	LB	10,000
ENG.	IMPACT STRENGTH	IN-LB	55
PURCH.	TIME LOAD TEST VALUE	LB	6,000
	ROUTINE PROOF TEST LOAD	LB	5,000

ELECTRICAL VALUES

PLT. MGR.	60 HERTZ FLASHOVER-DRY	kV	60
COST	60 HERTZ FLASHOVER-WET	kV	30
PROD.	IMPULSE FLASHOVER-POS.	kV	100
	IMPULSE FLASHOVER-NEG.	kV	90
INSP.	60 HERTZ PUNCTURE VOLTAGE	kV	80

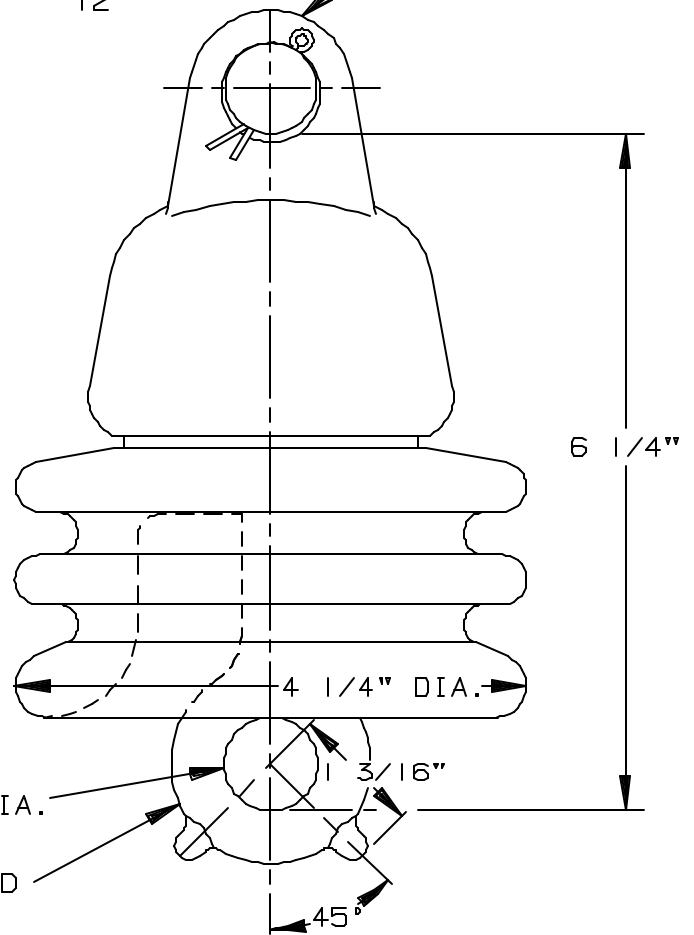
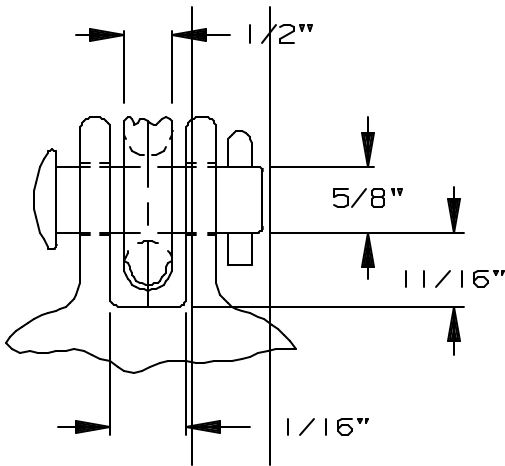
RADIO INFLUENCE VOLTAGE DATA

MAKING	60 HERTZ TEST VOLTAGE	kV	7.5
SHIP.	MAXIMUM RIV @ 1000 kHz	μV	50

PACKING INFORMATION

MODEL	NET WEIGHT PER 100	LB	555
MACH.	PACKED WEIGHT PER 100	LB	575
45	NO. IN STANDARD PACKAGE		12

GALV. MALL. IRON CAP



THIS DRAWING IS THE PROPERTY OF VICTOR INSULATORS, INC. AND CONTAINS PROPRIETARY AND CONFIDENTIAL INFORMATION WHICH MUST NOT BE DUPLICATED, USED, OR DISCLOSED OTHER THAN AS EXPRESSLY AUTHORIZED BY VICTOR INSULATORS, INC.

FILE: VI 52-9

10-14-04

PP TM AS

V INSULATORS
 VICTOR INSULATORS, INC.
 280 MAPLE AVENUE
 VICTOR, NEW YORK 14564
 TELEPHONE: (585) 924-2127

VI 52-9