

30

FILE: 145R

PIN TYPE INSULATOR

CAT. NO. 145R

ANSI CLASS NO. 56-3

"K" NECK

- 1 ENG. MGR.
- 2 ENG.
- PURCH.
- 1 MKTG.
- PLT. MGR.
- COST
- PROD.
- INSP.
- GLAZE
- BUSHING
- MAKING
- SHIP.
- ASSEM.
- MODEL
- MACH.
- 45
- TOOLING
- CFR. LAB.
- LAB.
- O.A.

DIMENSIONS

LEAKAGE DISTANCE	IN	21
DRY ARCING DISTANCE	IN	9.5
MINIMUM PIN HEIGHT	IN	8

MECHANICAL VALUES

CANTILEVER STRENGTH	LB	3000
---------------------	----	------

ELECTRICAL VALUES

CRITICAL IMPULSE FLASHOVER, POS.	kV	200
CRITICAL IMPULSE FLASHOVER, NEG.	kV	265
60 HERTZ FLASHOVER-DRY	kV	125
60 HERTZ FLASHOVER-WET	kV	80
60 HERTZ PUNCTURE VOLTAGE	kV	165

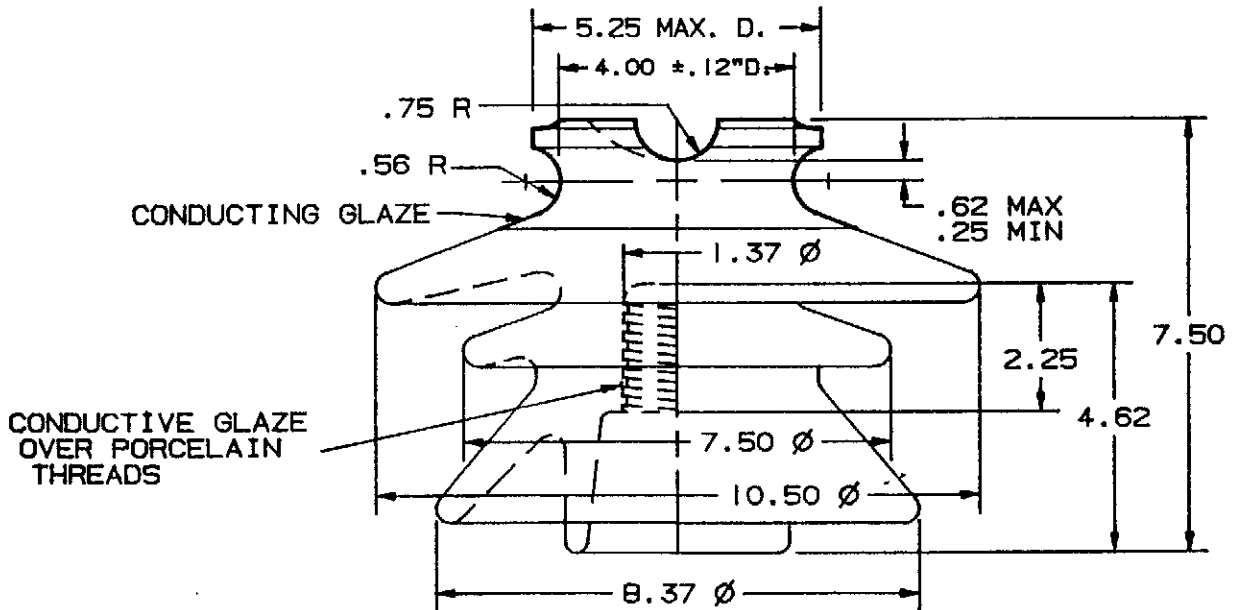
RADIO INFLUENCE VOLTAGE DATA

60 HERTZ TEST VOLTAGE	kV	30
MAXIMUM R.I.V. @ 1000 kHz		
RADIO FREED	μV	200
PLAIN	μV	16,000

PACKING INFORMATION

NET WEIGHT, PER 100	LB	1,550
PACKED WEIGHT, PER 100	LB	1,650
NO. IN STANDARD PACKAGE		4

THIS DRAWING IS THE PROPERTY OF VICTOR INSULATORS, INC. AND CONTAINS PROPRIETARY AND CONFIDENTIAL INFORMATION WHICH MUST NOT BE REPRODUCED, COPIED, OR DISCLOSED OTHER THAN AS EXPRESSLY AUTHORIZED BY VICTOR INSULATORS, INC.




Victor Insulators, Inc.
 280 MAPLE AVENUE
 MAIL: P.O. BOX B, VICTOR, NEW YORK 14584
 TELEPHONE: (718)924-2127

145R