

30

STATION POST	
CAT. NO. 1546	
115 kV	550 kV BIL
TR. NO. 173	

DIMENSIONS

LEAKAGE DISTANCE IN 99

4 HOLES EACH END
5/8-11 ±.015 ON 5" B.C.

MECHANICAL VALUES

CANTILEVER STRENGTH	LB	2,900
TENSION STRENGTH	LB	25,000
TORSION STRENGTH	IN-LB	90,000
COMPRESSION STRENGTH	LB	90,000

ELECTRICAL VALUES

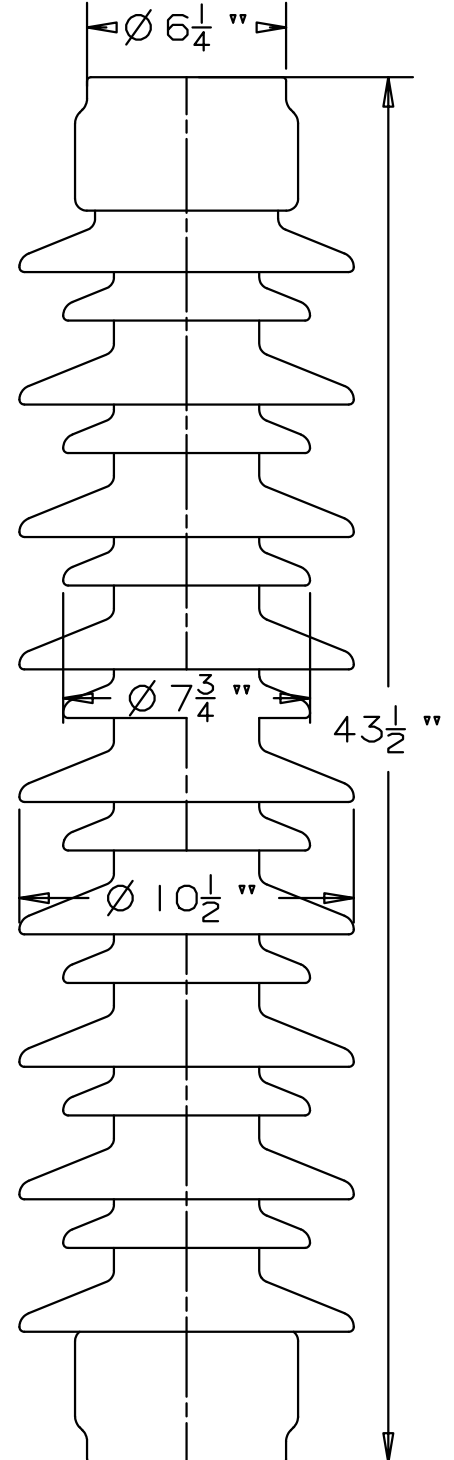
IMPULSE FLASHOVER-POS.	kV	610
60 HERTZ WITHSTAND-WET	kV	230
IMPULSE WITHSTAND	kV	550

RADIO INFLUENCE VOLTAGE DATA

60 HERTZ TEST VOLTAGE	kV	73
MAXIMUM RIV @ 1000 kHz	μV	200

PACKING INFORMATION

NET WEIGHT , EACH	LB	139
PACKED WEIGHT , EACH	LB	157
NO. IN STANDARD PACKAGE		1



THIS DRAWING IS THE PROPERTY OF VICTOR INSULATORS, INC. AND CONTAINS PROPRIETARY AND CONFIDENTIAL INFORMATION WHICH MUST NOT BE DUPLICATED, USED, OR DISCLOSED OTHER THAN AS EXPRESSLY AUTHORIZED BY VICTOR INSULATORS, INC.

APPROVED
By A. E. Schwalm at 11:32 am, Mar 01, 2010



Victor Insulators, Inc.
280 MAPLE AVENUE
VICTOR, NEW YORK 14564
TELEPHONE: (585)924-2127

1546

02-20-08

TM