

STATION POST	
69 kV	350 kV BIL
TR 16	

ENG. MGR.
 ENG.
 MKTG.
 EL. LAB
 EL. MEDIA

DIMENSIONS

LEAKAGE DISTANCE IN 58

MECHANICAL VALUES

CANTILEVER STRENGTH LB 1,500
 TENSION STRENGTH LB 20,000
 TORSION STRENGTH IN-LB 40,000
 COMPRESSION STRENGTH LB 60,000

ELECTRICAL VALUES

IMPULSE FLASHOVER-POS. kV 390
 60 HERTZ WITHSTAND-WET kV 145
 IMPULSE WITHSTAND kV 350

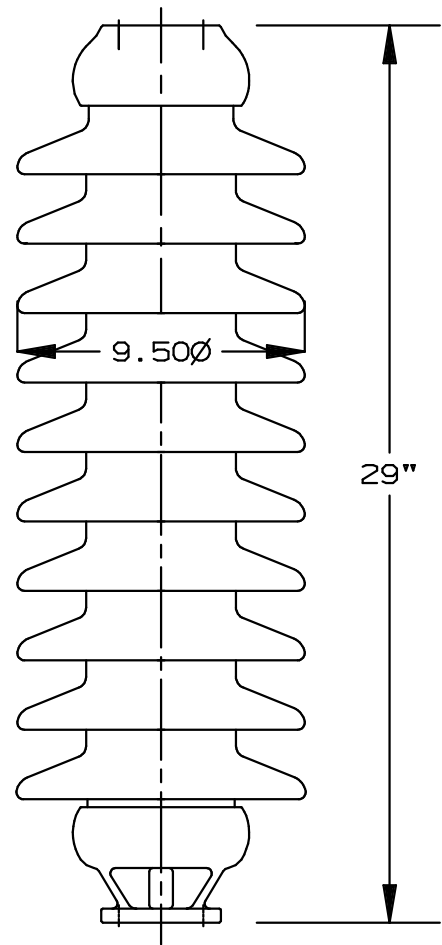
RADIO INFLUENCE VOLTAGE DATA

60 HERTZ TEST VOLTAGE kV 44
 MAXIMUM RIV @ 1000 kHz μ V 200

PACKING INFORMATION

NET WEIGHT , EACH LB 96
 PACKED WEIGHT , EACH LB 102
 NO. IN STANDARD PACKAGE 1

4 HOLES
 1/2-13 \pm .015 ON 3" B.C.



4 HOLES
 ϕ .58" ON 3" B.C.

THIS DRAWING IS THE PROPERTY OF VICTOR INSULATORS, INC. AND CONTAINS PROPRIETARY AND CONFIDENTIAL INFORMATION WHICH MUST NOT BE DUPLICATED, USED, OR DISCLOSED OTHER THAN AS EXPRESSLY AUTHORIZED BY VICTOR INSULATORS, INC.

APPROVED
 By A. E. Schwalm at 8:18 am, Jan 24, 2013

01-24-13	TM			D
04-01-03	TM		AS	C
5-10-99	DG			B
WAS SK-2-10-95	5-31-96	RR		A
2-27-95	TP			



Victor Insulators, Inc.
 280 MAPLE AVENUE
 VICTOR, NEW YORK 14564
 TELEPHONE: (716)924-2127

1589