

CAP & PIN REPLACEMENT	
CAT. NO. 1599	
15 kV	110 kV BIL
TR. NO. 44	

30

- | ENG. MGR
- | ENG
- | PURCH.
- | MKTG.
- PLT. MGR.
- COST
- PROD.
- INSP
- GLAZE
- BUSHING
- MAKING
- SHIP
- ASSEM
- MODEL
- MACH.
- 45
- TOOLING
- CER LAB
- | EL LAB
- D. A.

DIMENSIONS

LEAKAGE DISTANCE IN 14

MECHANICAL VALUES

CANTILEVER STRENGTH, UPRIGHT LB 4,000
 CANTILEVER STRENGTH, UNDERHUNG LB 3,000
 TENSION STRENGTH LB 10,000
 TORSION STRENGTH IN-LB 14,000
 COMPRESSION STRENGTH LB 20,000

ELECTRICAL VALUES

IMPULSE FLASHOVER-POS. kV 125
 60 HERTZ WITHSTAND-WET kV 45
 IMPULSE WITHSTAND kV 110

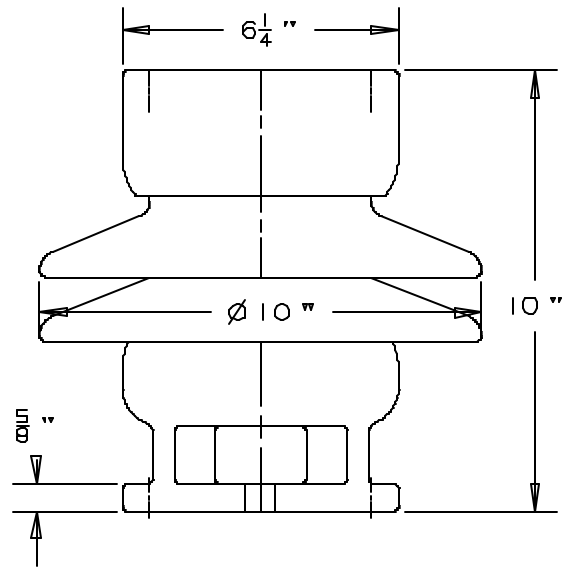
RADIO INFLUENCE VOLTAGE DATA

60 HERTZ TEST VOLTAGE kV 10
 MAXIMUM RIV @ 1000 KHz μV 50

PACKING INFORMATION

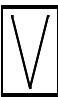
NET WEIGHT ,EACH LB 38
 PACKED WEIGHT ,EACH LB 40
 NO. IN STANDARD PACKAGE 2

4 TAPPED HOLES
 5/8" - 11 + .015 ON 5" B.C.



THIS DRAWING IS THE PROPERTY OF VICTOR INSULATORS, INC. AND CONTAINS PROPRIETARY AND CONFIDENTIAL INFORMATION WHICH MUST NOT BE DUPLICATED, USED, OR DISCLOSED OTHER THAN AS EXPRESSLY AUTHORIZED BY VICTOR INSULATORS, INC.

04-01-03	TM	AS
4-24-02	TM	PP AS


Victor Insulators, Inc.
 280 MAPLE AVENUE
 VICTOR, NEW YORK 14564
 TELEPHONE: (585)924-2127

1599