

STATION POST	
CAT. NO. 15PA30	
161 kV	750 kV BIL
REPLACES TR 25	

- 1 ENG. MGR
- 2 ENG
- PURCH.
- 1 MKTG.
- PLT. MGR.
- COST
- PROD.
- INSP
- GLAZE
- BUSHING
- MAKING
- SHIP
- ASSEM
- MODEL
- MACH.
- 45
- TOOLING
- CER LAB
- 1 EL LAB
- 1 E.MEDIA

DIMENSIONS

LEAKAGE DISTANCE IN 124

4 HOLES, EACH END  
 $\frac{5}{8}$ " - 11 +.015 ON 5" B.C.

MECHANICAL VALUES

CANTILEVER STRENGTH LB 1,200  
 TENSION STRENGTH LB 20,000  
 TORSION STRENGTH IN-LB 40,000  
 COMPRESSION STRENGTH LB 60,000

ELECTRICAL VALUES

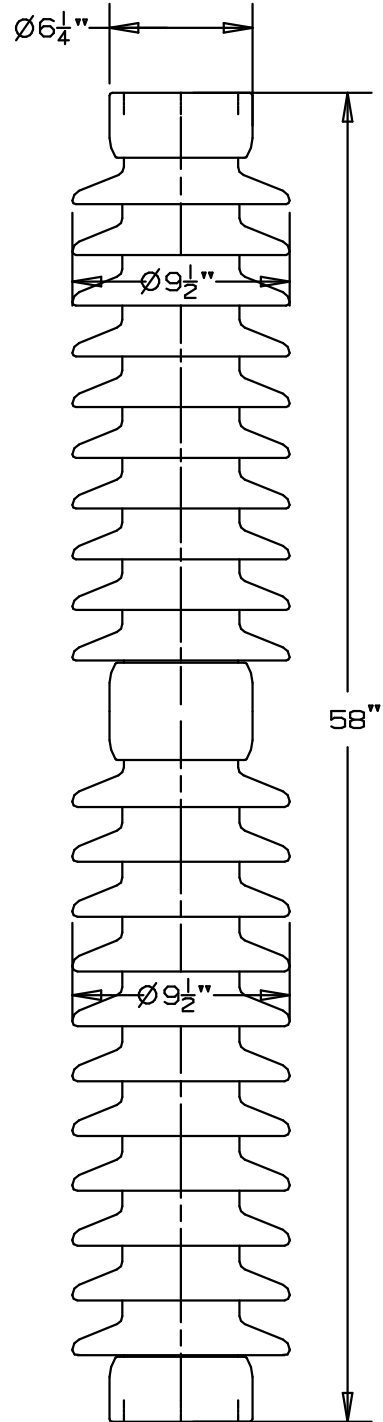
IMPULSE FLASHOVER-POS. kV 810  
 60 HERTZ WITHSTAND-WET kV 315  
 IMPULSE WITHSTAND kV 750

RADIO INFLUENCE VOLTAGE DATA

60 HERTZ TEST VOLTAGE TO GRD. kV 103  
 MAXIMUM RIV @ 1000 kHz  $\mu$ V 200

PACKING INFORMATION

NET WEIGHT, COLUMN LB 215  
 PACKED WEIGHT, COLUMN LB 235  
 NO. IN STANDARD PACKAGE 1



THIS DRAWING IS THE PROPERTY OF VICTOR INSULATORS, INC. AND CONTAINS PROPRIETARY AND CONFIDENTIAL INFORMATION WHICH MUST NOT BE DUPLICATED, USED, OR DISCLOSED OTHER THAN AS EXPRESSLY AUTHORIZED BY VICTOR INSULATORS, INC.

**APPROVED**  
 By A. E. Schwalm at 7:59 am, Jun 06, 2012



Victor Insulators, Inc.  
 280 MAPLE AVENUE  
 VICTOR, NEW YORK 14564  
 TELEPHONE: (585)924-2127

15PA30

06-05-12

TM