

30

STATION POST	
CAT.NO. 15PA32	
115 kV	550 kV BIL
TR 19	

- 1 ENG. MGR.
- 2 ENG.
- 1 MKTG.
- 1 EL. LAB
- 1 E.MEDIA

DIMENSIONS

LEAKAGE DISTANCE IN 99

MECHANICAL VALUES

CANTILEVER STRENGTH LB 1,700
 TENSION STRENGTH LB 20,000
 TORSION STRENGTH IN-LB 60,000
 COMPRESSION STRENGTH LB 60,000

ELECTRICAL VALUES

IMPULSE FLASHOVER-POS. kV 610
 60 HERTZ WITHSTAND-WET kV 230
 IMPULSE WITHSTAND kV 550

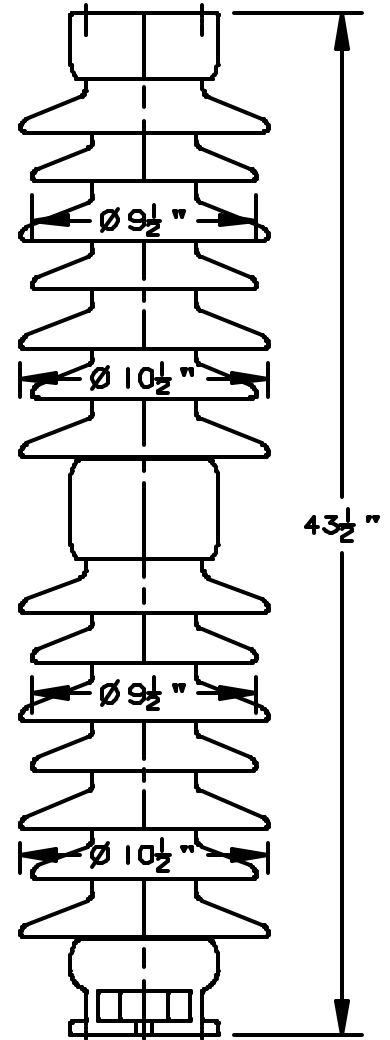
RADIO INFLUENCE VOLTAGE DATA

60 HERTZ TEST VOLTAGE kV 73
 MAXIMUM RIV @ 1000 kHz μV 200

PACKING INFORMATION

NET WEIGHT, COLUMN LB 160
 PACKED WEIGHT, COLUMN LB 178
 NO. IN STANDARD PACKAGE 1

4 HOLES
 $\frac{5}{8}$ "-11 ±.015 ON 5" B.C.



4 SLOTS
 $\frac{11}{16}$ " WIDE ON 5" B.C.

THIS DRAWING IS THE PROPERTY OF VICTOR INSULATORS, INC. AND CONTAINS PROPRIETARY AND CONFIDENTIAL INFORMATION WHICH MUST NOT BE REPLICATED, USED, OR DISCLOSED OTHER THAN AS EXPRESSLY AUTHORIZED BY VICTOR INSULATORS, INC.

04-01-03	TM		AS	F
3-21-02	TM	PP	AS	E
5-31-96		PP	AS	D
4-8-96	TP	PP		C
WAS SK-05-16-94		3-27-98	PP	B
2-27-95	TP	PP		A
05-16-94	RR	PP		



Victor Insulators, Inc.
 280 MAPLE AVENUE
 VICTOR, NEW YORK 14564
 TELEPHONE: (716)924-2127

15PA32