

30

STATION POST	
CAT. NO. 16PA10	
500 kV	1470 kV BIL
TR. NO. 330	

- 1 ENG. MGR.
- 2 ENG.
- PURCH.
- 1 MKTG.
- PLT. MGR.
- COST
- PROD.
- INSP.
- GLAZE
- BUSHING
- MAKING
- SHIP.
- ASSEM.
- MODEL
- MACH.
- 45
- TOOLING
- CER. LAB.
- 1 EL. LAB.
- O.A.
- 1 EL. MEDIA

DIMENSIONS

LEAKAGE DISTANCE IN 264

MECHANICAL VALUES

CANTILEVER STRENGTH LB 900
 TENSILE STRENGTH LB 25,000
 TORSION STRENGTH IN-LB 90,000
 COMPRESSION STRENGTH LB 75,000

ELECTRICAL VALUES

IMPULSE FLASHOVER-POS. kV 1,610
 60 HERTZ WITHSTAND-WET kV 590
 IMPULSE WITHSTAND kV 1,470

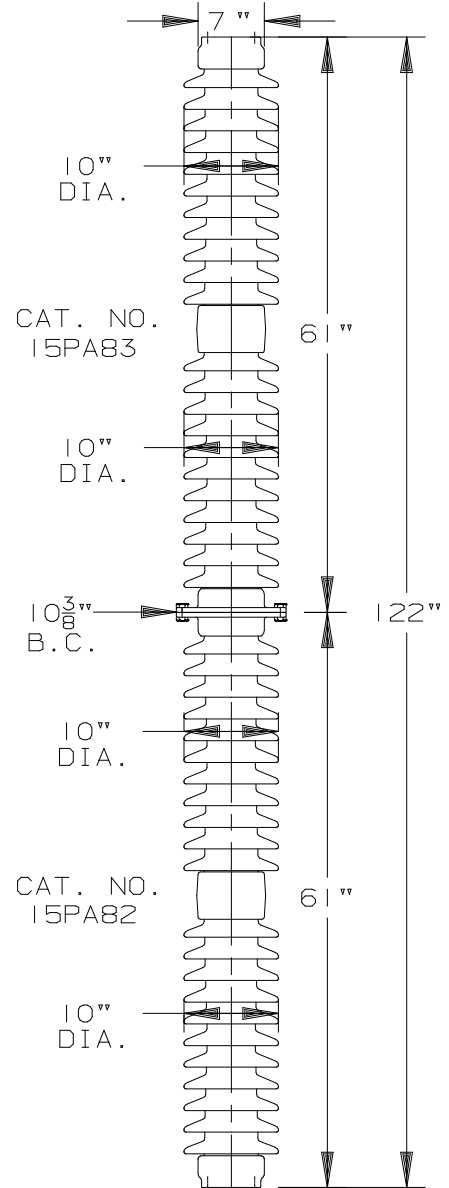
RADIO INFLUENCE VOLTAGE DATA

60 HERTZ TEST VOLTAGE kV 220
 MAXIMUM RIV @ 1000 kHz μ V 1,000

PACKING INFORMATION

NET WEIGHT ,STACK LB 500
 PACKED WEIGHT ,STACK LB 525
 NO. IN STANDARD PACKAGE 1/2

4 HOLES EACH END
 $\frac{5}{8}$ -11 + .015" ON 5" B.C.



THIS DRAWING IS THE PROPERTY OF VICTOR INSULATORS, INC. AND CONTAINS PROPRIETARY AND CONFIDENTIAL INFORMATION WHICH MUST NOT BE DUPLICATED, USED, OR DISCLOSED OTHER THAN AS EXPRESSLY AUTHORIZED BY VICTOR INSULATORS, INC.

FILE: 16PA10

7-24-01	TM	PP	AS	B	 Victor Insulators, Inc. 280 MAPLE AVENUE VICTOR, NEW YORK 14564 TELEPHONE: (716)924-2127	16PA10
5-04-99	DF	PP	A			
05-09-94	RR	PP	AS			