

STATION POST

CAT. NO. 16PT00

345 kV

1300 kV BIL

TR NO. 324

DIMENSIONS:

LEAKAGE DISTANCE IN 231

MECHANICAL VALUES:

CANTILEVER STRENGTH LB 1,000
 TENSION STRENGTH LB 25,000
 TORSION STRENGTH IN-LB 90,000
 COMPRESSION STRENGTH LB 75,000

ELECTRICAL VALUES:

IMPULSE FLASHOVER-POSITIVE kV 1,410
 60 HERTZ WITHSTAND-WET kV 525
 IMPULSE WITHSTAND kV 1,300

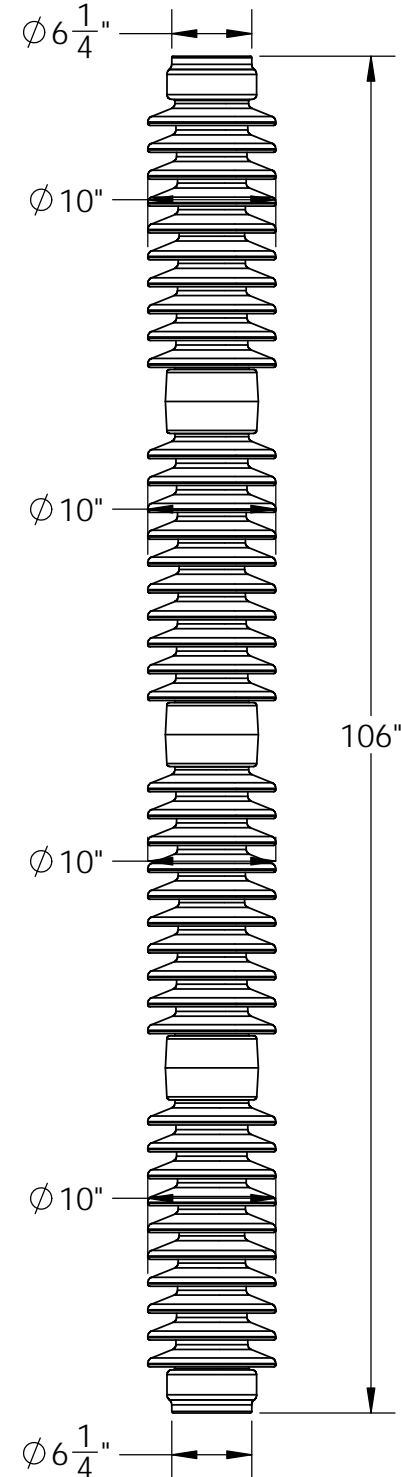
RADIO INFLUENCE VOLTAGE DATA:

60 HERTZ TEST VOLTAGE TO GROUND kV 220
 MAXIMUM R.I.V. @ 1000 kHz μ V 1,000

PACKAGING INFORMATION:

NET WEIGHT, LB 437
 PACKED WEIGHT LB 512
 NO. IN STANDARD PACKAGE 1

4 HOLES, EACH END
 5/8"-11 +.015 ON 5" B.C.



- 1 ENG. MGR
- 2 ENG
- PURCH.
- 1 MKTG.
- PLT.MGR.
- COST
- PRD.
- INSP
- GLAZE
- BUSHING
- MAKING
- SHIP
- ASSEM
- MODEL
- MACH.
- 45
- TOOLING
- CER LAB
- 1 EL LAB
- 1 E.MEDIA

THIS DRAWING IS THE PROPERTY OF VICTOR INSULATORS, INC. AND CONTAINS PROPRIETARY AND CONFIDENTIAL INFORMATION WHICH MUST NOT BE DUPLICATED, USED, OR DISCLOSED OTHER THAN AS EXPRESSLY AUTHORIZED BY VICTOR INSULATORS, INC.

APPROVED
 By A. E. Schwalm at 8:49 am, Oct 15, 2015



Victor Insulators, Inc.
 280 Maple Avenue
 Victor, New York 14564
 Telephone: (585)924-2127
 www.victorinsulators.com

16PT00

10-13-15

TM

SUPERSEDES 16TP00 DATED 05-04-99