

STATION POST

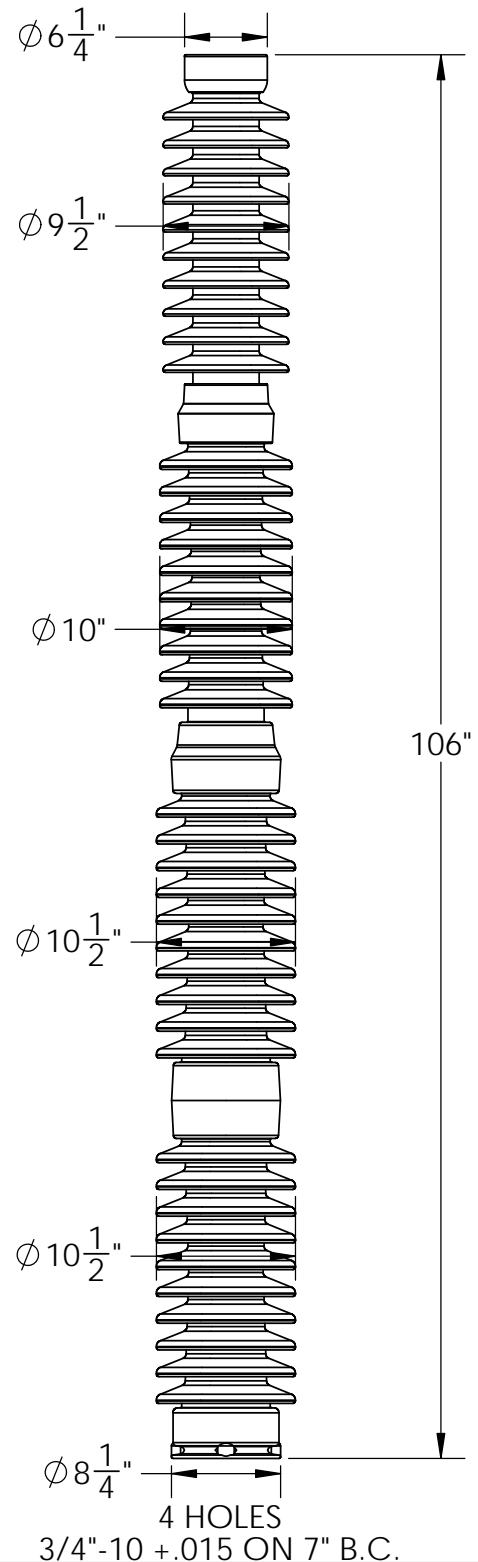
CAT. NO. 16PT03

345 kV

1,300 kV BIL

TR 369

4 HOLES 5/8"-11 +.015
ON 5" B.C.



106"

DIMENSIONS:

LEAKAGE DISTANCE IN 231

MECHANICAL VALUES:

CANTILEVER STRENGTH LB 2,050
TENSION STRENGTH LB 20,000
TORSION STRENGTH IN-LB 40,000
COMPRESSION STRENGTH LB 60,000

ELECTRICAL VALUES:

IMPULSE FLASHOVER-POSITIVE kV 1,410
60 HERTZ WITHSTAND-WET kV 525
IMPULSE WITHSTAND kV 1,300

RADIO INFLUENCE VOLTAGE DATA:

60 HERTZ TEST VOLTAGE TO GROUND kV 220
MAXIMUM R.I.V. @ 1000 kHz μ V 1,000

PACKAGING INFORMATION:

NET WEIGHT, LB 450
PACKED WEIGHT LB 480
NO. IN STANDARD PACKAGE 1

- 1 ENG. MGR
- 2 ENG
- PURCH.
- 1 MKTG.
- PLT.MGR.
- COST
- PRD.
- INSP
- GLAZE
- BUSHING
- MAKING
- SHIP
- ASSEM
- MODEL
- MACH.
- 45
- TOOLING
- CER LAB
- 1 EL LAB
- 1 E.MEDIA

THIS DRAWING IS THE PROPERTY OF VICTOR INSULATORS, INC. AND CONTAINS PROPRIETARY AND CONFIDENTIAL INFORMATION WHICH MUST NOT BE DUPLICATED, USED, OR DISCLOSED OTHER THAN AS EXPRESSLY AUTHORIZED BY VICTOR INSULATORS, INC.

APPROVED

By A. E. Schwalm at 8:17 am, Jun 09, 2016



Victor Insulators, Inc.

280 Maple Avenue
Victor, New York 14564
Telephone: (585)924-2127
www.victorinsulators.com

16PT03

06-06-16

TM

SUPSEDES 16PT03 DATED 05-04-99