

STATION POST

CAT. NO. 1750

7.5 kV

95 kV BIL

TR 202

DIMENSIONS:

LEAKAGE DISTANCE IN 10.5

MECHANICAL VALUES:

CANTILEVER STRENGTH LB 2,000
 TENSION STRENGTH LB 7,000
 TORSION STRENGTH IN-LB 6,000
 COMPRESSION STRENGTH LB 10,000

ELECTRICAL VALUES:

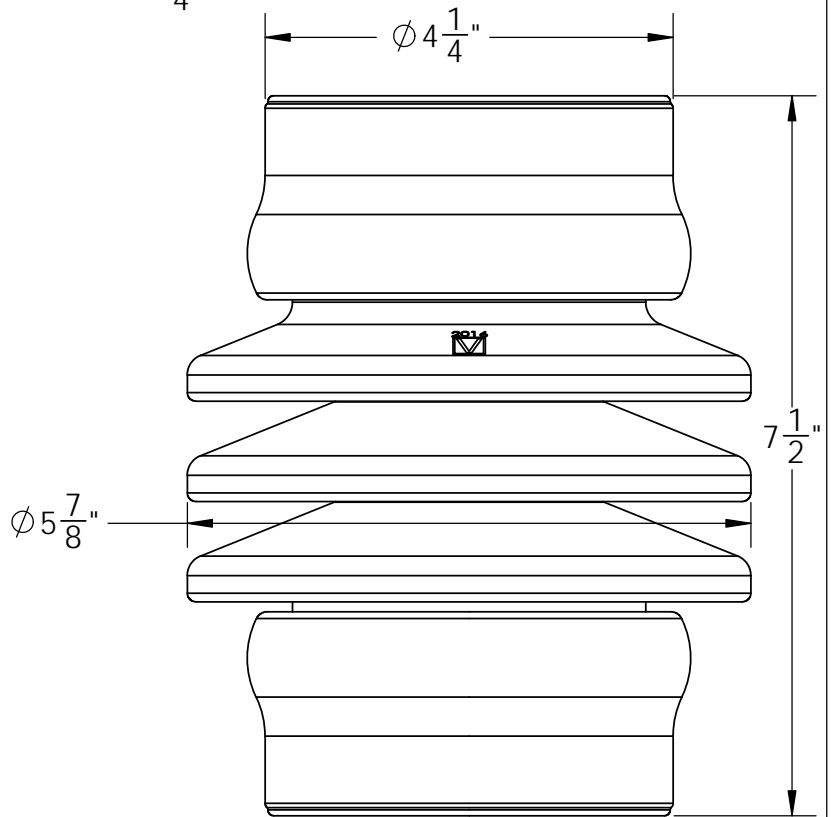
IMPULSE FLASHOVER-POSITIVE kV 105
 60 HERTZ WITHSTAND-WET kV 30
 IMPULSE WITHSTAND kV 95

RADIO INFLUENCE VOLTAGE DATA:

60 HERTZ TEST VOLTAGE TO GROUND kV 5
 MAXIMUM R.I.V. @ 1000 kHz μ V 50

PACKAGING INFORMATION:

NET WEIGHT, LB 13
 PACKED WEIGHT LB 14.5
 NO. IN STANDARD PACKAGE 4



4 HOLES 1/2"-13 +.015
 ON 3" B.C., BOTH ENDS

THIS DRAWING IS THE PROPERTY OF
 VICTOR INSULATORS, INC. AND CONTAINS
 PROPRIETARY AND CONFIDENTIAL INFORMATION
 WHICH MUST NOT BE DUPLICATED, USED,
 OR DISCLOSED OTHER THAN AS EXPRESSLY
 AUTHORIZED BY VICTOR INSULATORS, INC.

APPROVED
 By A. E. Schwalm at 2:07 pm, May 16, 2016

05-16-16

TM



Victor Insulators, Inc.

280 Maple Avenue
 Victor, New York 14564
 Telephone: (585)924-2127
 www.victorinsulators.com

1750