

STATION POST

CAT. NO. 1751

15 kV	110 kV BIL
TR 205	

DIMENSIONS:

LEAKAGE DISTANCE IN 15.5

MECHANICAL VALUES:

CANTILEVER STRENGTH	LB	2,000
TENSION STRENGTH	LB	8,500
TORSION STRENGTH	IN-LB	7,000
COMPRESSION STRENGTH	LB	10,000

ELECTRICAL VALUES:

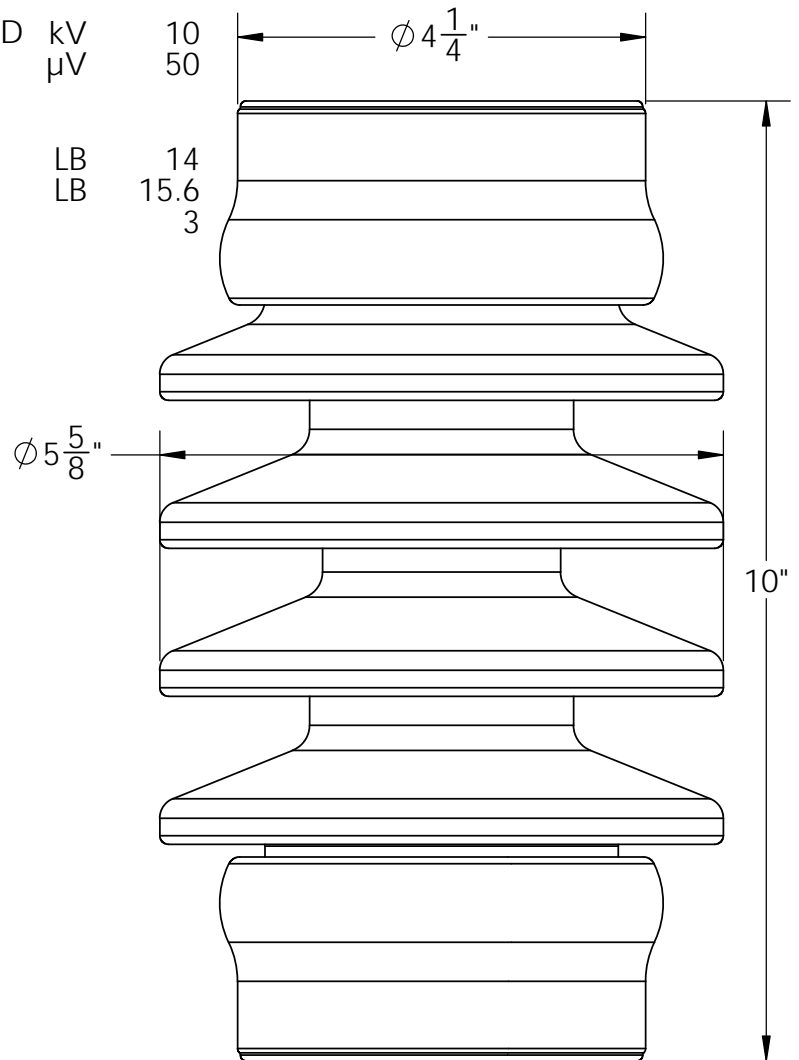
IMPULSE FLASHOVER-POSITIVE	kV	125
60 HERTZ WITHSTAND-WET	kV	45
IMPULSE WITHSTAND	kV	110

RADIO INFLUENCE VOLTAGE DATA:

60 HERTZ TEST VOLTAGE TO GROUND	kV	10
MAXIMUM R.I.V. @ 1000 kHz	μV	50

PACKAGING INFORMATION:

NET WEIGHT,	LB	14
PACKED WEIGHT	LB	15.6
NO. IN STANDARD PACKAGE		3



4 HOLES 1/2"-13 +.015
ON 3" B.C., BOTH ENDS

THIS DRAWING IS THE PROPERTY OF VICTOR INSULATORS, INC. AND CONTAINS PROPRIETARY AND CONFIDENTIAL INFORMATION WHICH MUST NOT BE DUPLICATED, USED, OR DISCLOSED OTHER THAN AS EXPRESSLY AUTHORIZED BY VICTOR INSULATORS, INC.

APPROVED
By A. E. Schwalm at 3:20 pm, Apr 03, 2017

04-03-17		TM		A
05-09-16		TM		



Victor Insulators, Inc.
280 Maple Avenue
Victor, New York 14564
Telephone: (585)924-2127
www.victorinsulators.com

1751