

**STATION POST**

CAT. NO. 1752

23 kV 150 kV BIL  
 TR 208

DIMENSIONS:

LEAKAGE DISTANCE IN 24

MECHANICAL VALUES:

CANTILEVER STRENGTH LB 2,000  
 TENSION STRENGTH LB 10,000  
 TORSION STRENGTH IN-LB 8,000  
 COMPRESSION STRENGTH LB 10,000

ELECTRICAL VALUES:

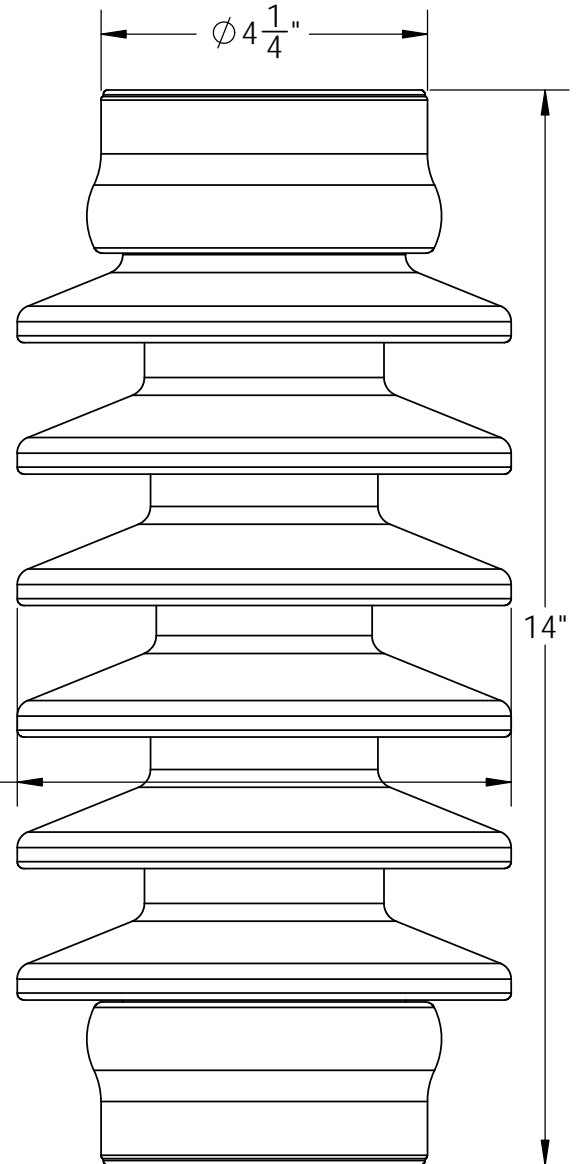
IMPULSE FLASHOVER-POSITIVE kV 170  
 60 HERTZ WITHSTAND-WET kV 60  
 IMPULSE WITHSTAND kV 150

RADIO INFLUENCE VOLTAGE DATA:

60 HERTZ TEST VOLTAGE TO GROUND kV 15  
 MAXIMUM R.I.V. @ 1000 kHz μV 100

PACKAGING INFORMATION:

NET WEIGHT, LB 26  
 PACKED WEIGHT LB 27  
 NO. IN STANDARD PACKAGE 2



4 HOLES 1/2"-13 +.015  
 ON 3" B.C., BOTH ENDS

- 1 ENG. MGR
- 2 ENG
- PURCH.
- 1 MKTG.
- PLT.MGR.
- COST
- PRDD.
- INSP
- GLAZE
- BUSHING
- MAKING
- SHIP
- ASSEM
- MODEL
- MACH.
- 45
- TOOLING
- CER LAB
- 1 EL LAB
- 1 E.MEDIA

THIS DRAWING IS THE PROPERTY OF  
 VICTOR INSULATORS, INC. AND CONTAINS  
 PROPRIETARY AND CONFIDENTIAL INFORMATION  
 WHICH MUST NOT BE DUPLICATED, USED,  
 OR DISCLOSED OTHER THAN AS EXPRESSLY  
 AUTHORIZED BY VICTOR INSULATORS, INC.

**APPROVED**  
 By A. E. Schwalm at 2:08 pm, May 16, 2016



**Victor Insulators, Inc.**  
 280 Maple Avenue  
 Victor, New York 14564  
 Telephone: (585)924-2127  
 www.victorinsulators.com

**1752**

05-16-16

TM