

**STATION POST**

CAT. NO. 1754

46 kV 250 kV BIL

TR NO. 214

SOLID CORE PORCELAIN

- 1 ENG. MGR
- 2 ENG
- PURCH.
- 1 MKTG.
- PLT.MGR.
- COST
- PRD.
- INSP
- GLAZE
- BUSHING
- MAKING
- SHIP
- ASSEM
- MODEL
- MACH.
- 45
- TOOLING
- CER LAB
- 1 EL LAB
- 1 E.MEDIA

DIMENSIONS:

LEAKAGE DISTANCE IN 45

MECHANICAL VALUES:

CANTILEVER STRENGTH LB 2,000  
 TENSION STRENGTH LB 14,000  
 TORSION STRENGTH IN-LB 12,000  
 COMPRESSION STRENGTH LB 15,000

ELECTRICAL VALUES:

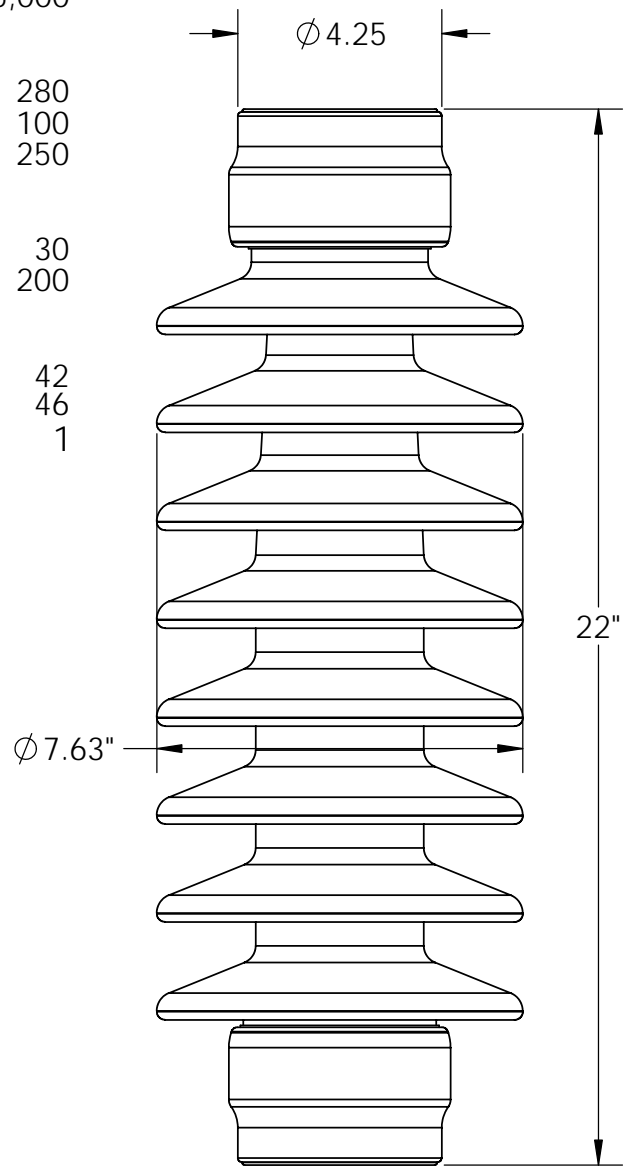
IMPULSE FLASHOVER-POSITIVE kV 280  
 60 HERTZ WITHSTAND-WET kV 100  
 IMPULSE WITHSTAND kV 250

RADIO INFLUENCE VOLTAGE DATA:

60 HERTZ TEST VOLTAGE TO GROUND kV 30  
 MAXIMUM R.I.V. @ 1000 kHz  $\mu$ V 200

PACKAGING INFORMATION:

NET WEIGHT, LB 42  
 PACKED WEIGHT LB 46  
 NO. IN STANDARD PACKAGE 1



4 HOLES 1/2"-13 +.015"  
 ON 3" B.C. BOTH ENDS

THIS DRAWING IS THE PROPERTY OF VICTOR INSULATORS, INC. AND CONTAINS PROPRIETARY AND CONFIDENTIAL INFORMATION WHICH MUST NOT BE DUPLICATED, USED, OR DISCLOSED OTHER THAN AS EXPRESSLY AUTHORIZED BY VICTOR INSULATORS, INC.

APPROVED  
 By A. E. Schwalm at 2:32 pm, Oct 28, 2014



**Victor Insulators, Inc.**

280 Maple Avenue  
 Victor, New York 14564  
 Telephone: (585)924-2127  
 www.victorinsulators.com

**1754**

10-28-14

TM

SUPERCEDES DRAWING 1754 DATED 7-22-11

FILE: 1754