

STATION POST

CAT. NO. 1766

7.5 kV 95 kV BIL
TR 222

DIMENSIONS:

LEAKAGE DISTANCE IN 10.5

MECHANICAL VALUES:

CANTILEVER STRENGTH LB 4,000
TENSION STRENGTH LB 15,000
TORSION STRENGTH IN-LB 12,000
COMPRESSION STRENGTH LB 20,000

ELECTRICAL VALUES:

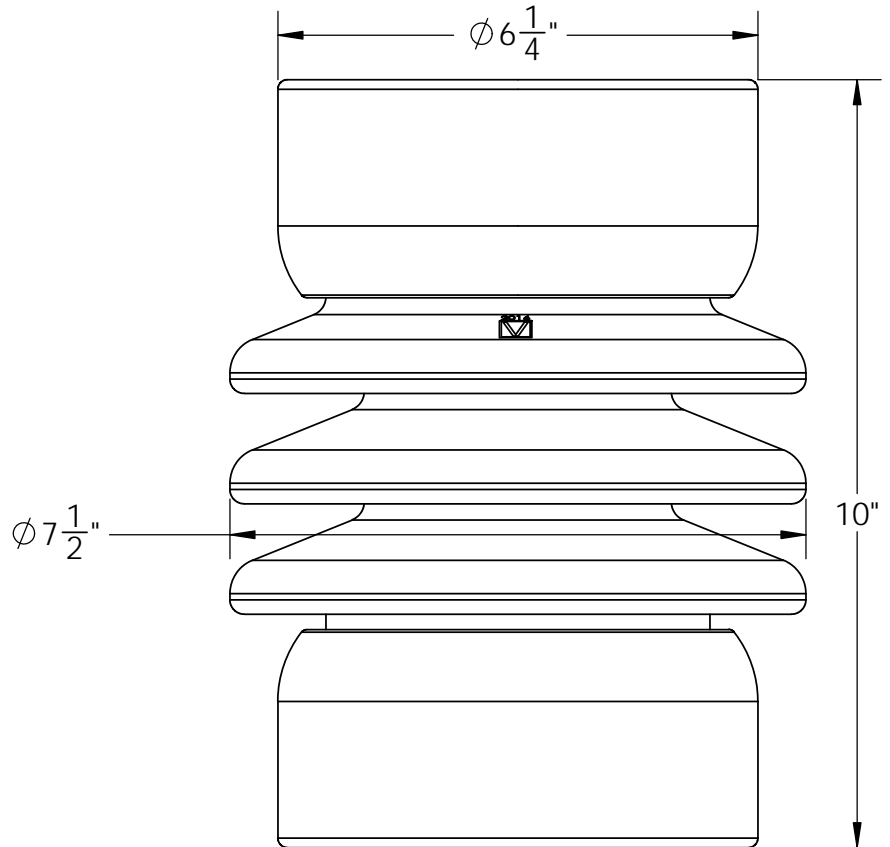
IMPULSE FLASHOVER-POSITIVE kV 105
60 HERTZ WITHSTAND-WET kV 30
IMPULSE WITHSTAND kV 95

RADIO INFLUENCE VOLTAGE DATA:

60 HERTZ TEST VOLTAGE TO GROUND kV 5
MAXIMUM R.I.V. @ 1000 kHz μ V 50

PACKAGING INFORMATION:

NET WEIGHT, LB 34
PACKED WEIGHT LB 40
NO. IN STANDARD PACKAGE 2



4 HOLES 5/8"-11 +.015
ON 5" B.C., BOTH ENDS

THIS DRAWING IS THE PROPERTY OF
VICTOR INSULATORS, INC. AND CONTAINS
PROPRIETARY AND CONFIDENTIAL INFORMATION
WHICH MUST NOT BE DUPLICATED, USED,
OR DISCLOSED OTHER THAN AS EXPRESSLY
AUTHORIZED BY VICTOR INSULATORS, INC.

APPROVED
By A. E. Schwalm at 2:10 pm, May 16, 2016



Victor Insulators, Inc.
280 Maple Avenue
Victor, New York 14564
Telephone: (585)924-2127
www.victorinsulators.com

1766

05-16-16

TM