

**STATION POST**

CAT. NO. 1767

15 kV	110 kV BIL
TR NO 225	

DIMENSIONS:

LEAKAGE DISTANCE IN 15.5

MECHANICAL VALUES:

CANTILEVER STRENGTH	LB	4,000
TENSION STRENGTH	LB	20,000
TORSION STRENGTH	IN-LB	14,000
COMPRESSION STRENGTH	LB	20,000

ELECTRICAL VALUES:

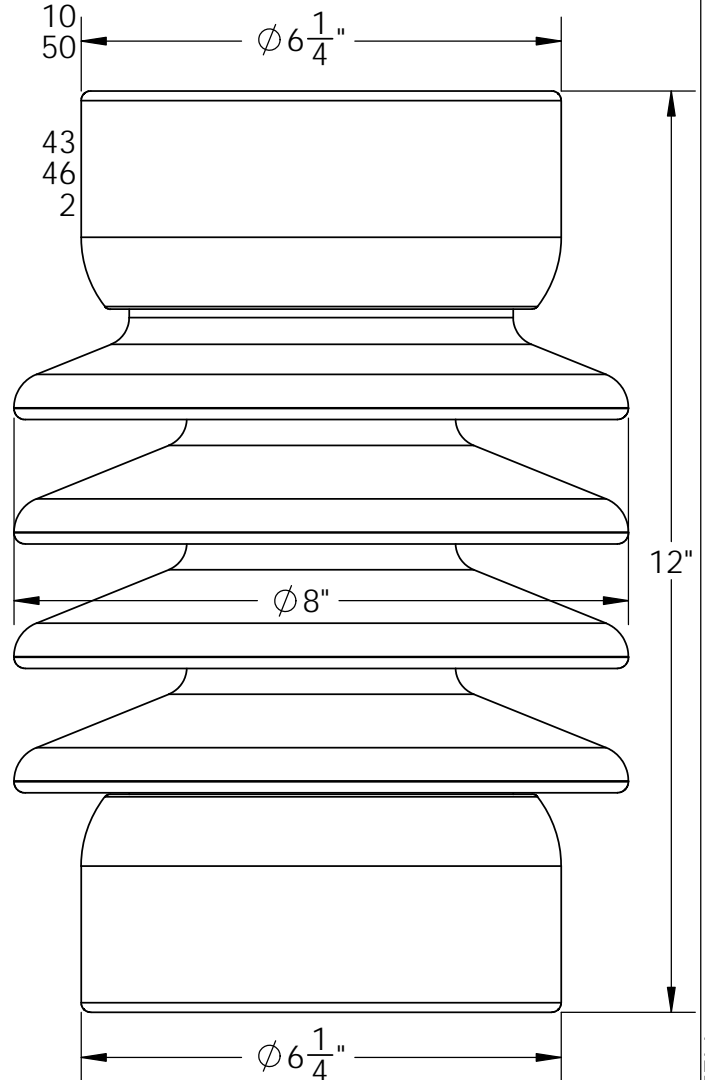
IMPULSE FLASHOVER-POSITIVE	kV	125
60 HERTZ WITHSTAND-WET	kV	45
IMPULSE WITHSTAND	kV	110

RADIO INFLUENCE VOLTAGE DATA:

60 HERTZ TEST VOLTAGE TO GROUND	kV	10
MAXIMUM R.I.V. @ 1000 kHz	μV	50

PACKAGING INFORMATION:

NET WEIGHT,	LB	43
PACKED WEIGHT	LB	46
NO. IN STANDARD PACKAGE		2



4 HOLES 5/8"-11 +.015  
ON 5" B.C. BOTH ENDS

**APPROVED**  
By A. E. Schwalm at 10:31 am, Apr 20, 2016



**Victor Insulators, Inc.**  
280 Maple Avenue  
Victor, New York 14564  
Telephone: (585)924-2127  
www.victorinsulators.com

**1767**

04-20-16

TM

THIS DRAWING IS THE PROPERTY OF VICTOR INSULATORS, INC. AND CONTAINS PROPRIETARY AND CONFIDENTIAL INFORMATION WHICH MUST NOT BE DUPLICATED, USED, OR DISCLOSED OTHER THAN AS EXPRESSLY AUTHORIZED BY VICTOR INSULATORS, INC.

- 1 ENG. MGR
- 2 ENG
- PURCH.
- 1 MKTG.
- PLT.MGR.
- COST
- PRD.
- INSP
- GLAZE
- BUSHING
- MAKING
- SHIP
- ASSEM
- MODEL
- MACH.
- 45
- TOOLING
- CER LAB
- 1 EL LAB
- 1 E.MEDIA