

STATION POST

CAT. NO. 1768

23 kV

150 kV BIL

TR 227

DIMENSIONS:

LEAKAGE DISTANCE IN 24

MECHANICAL VALUES:

CANTILEVER STRENGTH LB 4,000
 TENSION STRENGTH LB 20,000
 TORSION STRENGTH IN-LB 16,000
 COMPRESSION STRENGTH LB 20,000

ELECTRICAL VALUES:

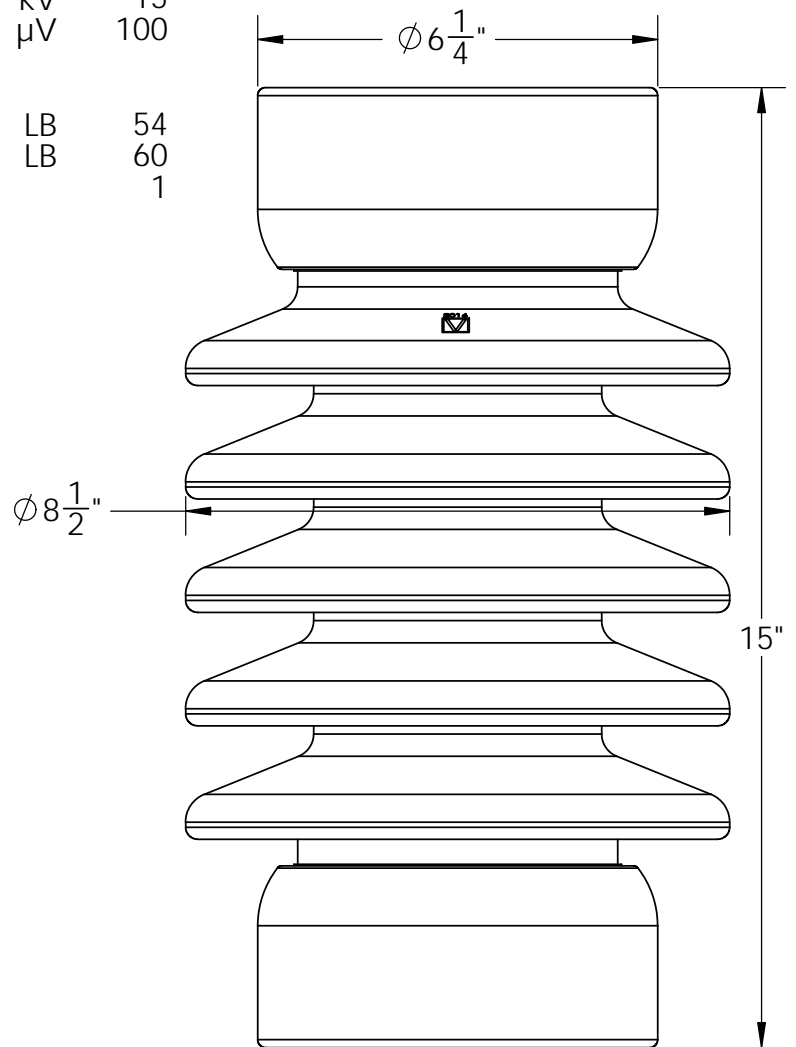
IMPULSE FLASHOVER-POSITIVE kV 170
 60 HERTZ WITHSTAND-WET kV 60
 IMPULSE WITHSTAND kV 150

RADIO INFLUENCE VOLTAGE DATA:

60 HERTZ TEST VOLTAGE TO GROUND kV 15
 MAXIMUM R.I.V. @ 1000 kHz μ V 100

PACKAGING INFORMATION:

NET WEIGHT, LB 54
 PACKED WEIGHT LB 60
 NO. IN STANDARD PACKAGE 1



4 HOLES 5/8"-11 +.015
 ON 5" B.C., BOTH ENDS

FILE: 1768

- 1 ENG. MGR
- 2 ENG
- PURCH.
- 1 MKTG.
- PLT.MGR.
- COST
- PRD.
- INSP
- GLAZE
- BUSHING
- MAKING
- SHIP
- ASSEM
- MODEL
- MACH.
- 45
- TOOLING
- CER LAB
- 1 EL LAB
- 1 E.MEDIA

THIS DRAWING IS THE PROPERTY OF
 VICTOR INSULATORS, INC. AND CONTAINS
 PROPRIETARY AND CONFIDENTIAL INFORMATION
 WHICH MUST NOT BE DUPLICATED, USED,
 OR DISCLOSED OTHER THAN AS EXPRESSLY
 AUTHORIZED BY VICTOR INSULATORS, INC.

APPROVED
 By A. E. Schwalm at 2:09 pm, May 16, 2016

05-16-16

TM



Victor Insulators, Inc.

280 Maple Avenue
 Victor, New York 14564
 Telephone: (585)924-2127
 www.victorinsulators.com

1768