

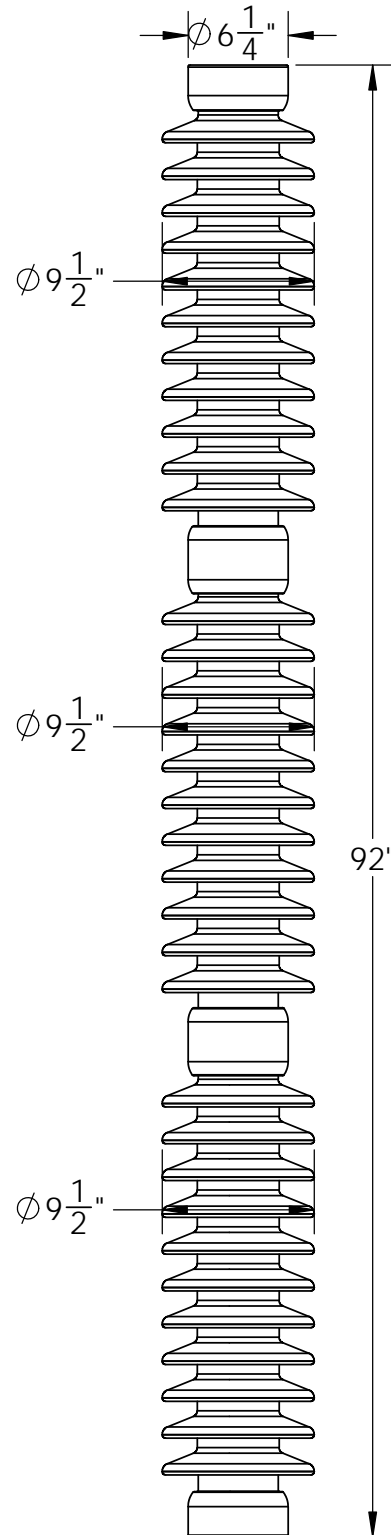
**STATION POST**

CAT. NO. 17PA24

230 kV 1,050 kV BIL

TR 312

4 HOLES 5/8"-11 +.015  
ON 5" B.C., BOTH ENDS



DIMENSIONS:

LEAKAGE DISTANCE IN 198

MECHANICAL VALUES:

CANTILEVER STRENGTH LB 800  
TENSION STRENGTH LB 20,000  
TORSION STRENGTH IN-LB 40,000  
COMPRESSION STRENGTH LB 60,000

ELECTRICAL VALUES:

IMPULSE FLASHOVER-POSITIVE kV 1,210  
60 HERTZ WITHSTAND-WET kV 455  
IMPULSE WITHSTAND kV 1,050

RADIO INFLUENCE VOLTAGE DATA:

60 HERTZ TEST VOLTAGE TO GROUND kV 146  
MAXIMUM R.I.V. @ 1000 kHz  $\mu$ V 500

PACKAGING INFORMATION:

NET WEIGHT, LB 300  
PACKED WEIGHT LB 315  
NO. IN STANDARD PACKAGE 1

- 1 ENG. MGR
- 2 ENG
- PURCH.
- 1 MKTG.
- PLT.MGR.
- COST
- PRD.
- INSP
- GLAZE
- BUSHING
- MAKING
- SHIP
- ASSEM
- MODEL
- MACH.
- 45
- TOOLING
- CER LAB
- 1 EL LAB
- 1 E.MEDIA

THIS DRAWING IS THE PROPERTY OF VICTOR INSULATORS, INC. AND CONTAINS PROPRIETARY AND CONFIDENTIAL INFORMATION WHICH MUST NOT BE DUPLICATED, USED, OR DISCLOSED OTHER THAN AS EXPRESSLY AUTHORIZED BY VICTOR INSULATORS, INC.

APPROVED  
By A. E. Schwalm at 2:01 pm, Oct 03, 2016

09-28-16

TM



**Victor Insulators, Inc.**

280 Maple Avenue  
Victor, New York 14564  
Telephone: (585)924-2127  
www.victorinsulators.com

**17PA24**