

**STATION POST**

CAT. NO. 17PA26

138 kV

650 kV BIL

TR 289

DIMENSIONS:

LEAKAGE DISTANCE IN 116

MECHANICAL VALUES:

CANTILEVER STRENGTH LB 2,200  
 TENSION STRENGTH LB 25,000  
 TORSION STRENGTH IN-LB 90,000  
 COMPRESSION STRENGTH LB 75,000

ELECTRICAL VALUES:

IMPULSE FLASHOVER-POSITIVE kV 710  
 60 HERTZ WITHSTAND-WET kV 275  
 IMPULSE WITHSTAND kV 650

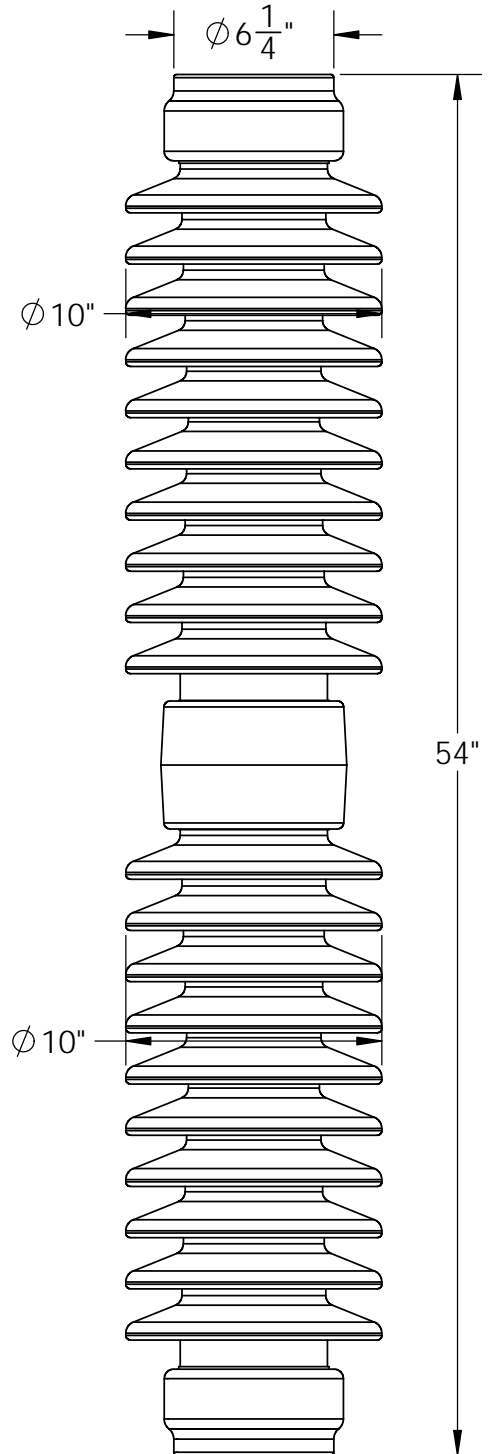
RADIO INFLUENCE VOLTAGE DATA:

60 HERTZ TEST VOLTAGE TO GROUND kV 88  
 MAXIMUM R.I.V. @ 1000 kHz  $\mu$ V 200

PACKAGING INFORMATION:

NET WEIGHT, LB 220  
 PACKED WEIGHT LB 235  
 NO. IN STANDARD PACKAGE 1

4 HOLES 5/8"-11 +.015  
 ON 5" B.C., BOTH ENDS



- 1 ENG. MGR
- 2 ENG
- PURCH.
- 1 MKTG.
- PLT.MGR.
- COST
- PRD.
- INSP
- GLAZE
- BUSHING
- MAKING
- SHIP
- ASSEM
- MODEL
- MACH.
- 45
- TOOLING
- CER LAB
- 1 EL LAB
- 1 E.MEDIA

THIS DRAWING IS THE PROPERTY OF  
 VICTOR INSULATORS, INC. AND CONTAINS  
 PROPRIETARY AND CONFIDENTIAL INFORMATION  
 WHICH MUST NOT BE DUPLICATED, USED,  
 OR DISCLOSED OTHER THAN AS EXPRESSLY  
 AUTHORIZED BY VICTOR INSULATORS, INC.

**APPROVED**  
 By A. E. Schwalm at 2:10 pm, Oct 03, 2016



**Victor Insulators, Inc.**  
 280 Maple Avenue  
 Victor, New York 14564  
 Telephone: (585)924-2127  
 www.victorinsulators.com

**17PA26**

09-28-16

TM

SUPERSEDES DWG 17PA26 DATED 06-22-95