

30

LINE POST	
CAT. NO. 2115	
15 kV	"F" NECK

ENG. MGR  
 ENG  
 PURCH.  
 MKTG.  
 PLT. MGR.  
 COST  
 PROD.  
 INSP  
 GLAZE  
 BUSHING  
 MAKING  
 SHIP  
 ASSEM  
 MODEL  
 MACH.  
 45  
 TOOLING  
 CER LAB  
 EL LAB  
 Q. A.

DIMENSIONS

LEAKAGE DISTANCE IN 7.5

MECHANICAL VALUES

CANTILEVER STRENGTH LB 2,000

ELECTRICAL VALUES

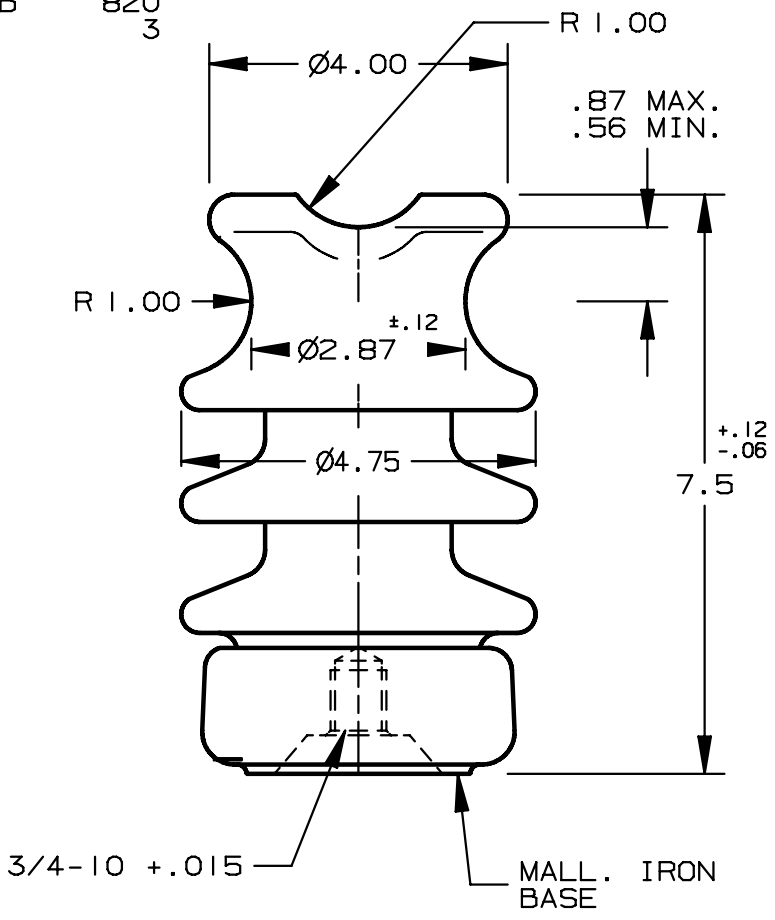
60 HERTZ FLASHOVER-DRY	kV	65
60 HERTZ FLASHOVER-WET	kV	40
IMPULSE FLASHOVER -POS.	kV	100
IMPULSE FLASHOVER -NEG.	kV	130

RADIO INFLUENCE VOLTAGE DATA

60 HERTZ TEST VOLTAGE	kV	10
MAXIMUM RIV @ 1000 kHz	μV	50

PACKING INFORMATION

NET WEIGHT PER 100	LB	770
PACKED WEIGHT PER 100	LB	820
NO. IN STANDARD PACKAGE		3



THIS DRAWING IS THE PROPERTY OF VICTOR INSULATORS, INC. AND CONTAINS PROPRIETARY AND CONFIDENTIAL INFORMATION WHICH MUST NOT BE DUPLICATED, USED, OR DISCLOSED OTHER THAN AS EXPRESSLY AUTHORIZED BY VICTOR INSULATORS, INC.

APPROVED  
 By A. E. Schmitt at 12:56 pm, Jun 01, 2009

05-29-09	REV'D OAL TOLERANCE	TM		A
01-04-01		TP	PP	AS


**Victor Insulators, Inc.**  
 280 MAPLE AVENUE  
 VICTOR, NEW YORK 14564  
 TELEPHONE: (585)924-2127

2115