

30

LINE POST	
CAT. NO. 2135	
15 kV	"C" NECK

ENG. MGR.  
 2 ENG.  
 PURCH.  
 MKTG.  
 PLT. MGR.  
 COST  
 PROD.  
 INSP.  
 GLAZE  
 BUSHING  
 MAKING  
 SHIP.  
 ASSEM.  
 MODEL  
 MACH.  
 45  
 TOOLING  
 CER. LAB.  
 EL. LAB.  
 Q.A.

DIMENSIONS

LEAKAGE DISTANCE IN 7.5

MECHANICAL VALUES

CANTILEVER STRENGTH LB 2,000

ELECTRICAL VALUES

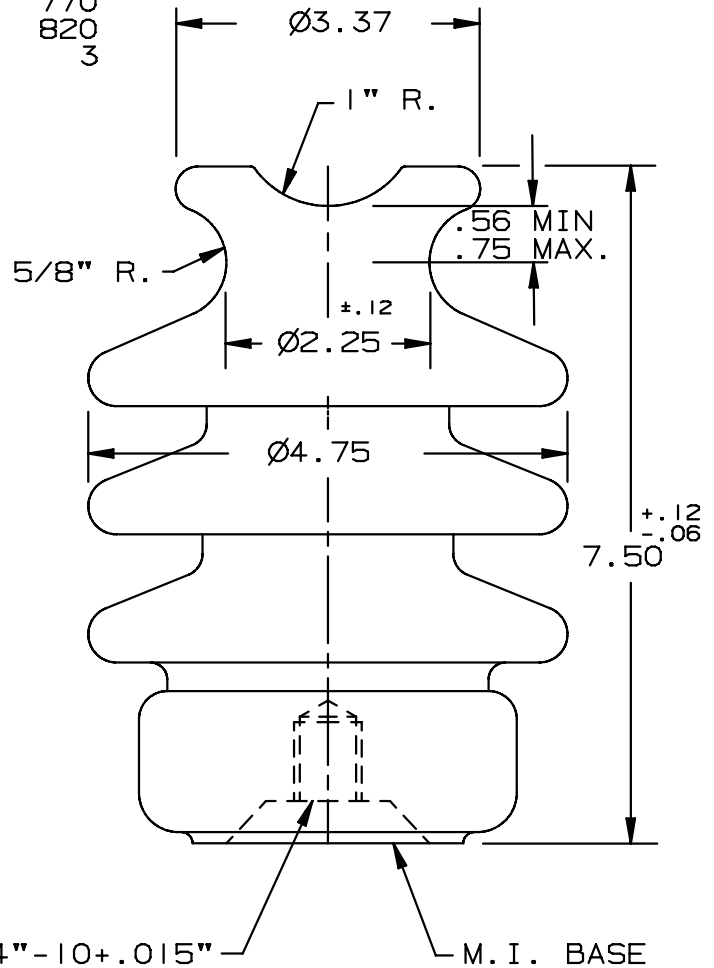
60 HERTZ FLASHOVER-DRY kV 65  
 60 HERTZ FLASHOVER-WET kV 40  
 IMPULSE FLASHOVER-POS. kV 100  
 IMPULSE FLASHOVER-NEG. kV 130

RADIO INFLUENCE VOLTAGE DATA

60 HERTZ TEST VOLTAGE kV 10  
 MAXIMUM RIV @ 1000 kHz  $\mu$ V 50

PACKING INFORMATION

NET WEIGHT PER 100 LB 770  
 PACKED WEIGHT PER 100 LB 820  
 NO. IN STANDARD PACKAGE 3



THIS DRAWING IS THE PROPERTY OF VICTOR INSULATORS, INC. AND CONTAINS PROPRIETARY AND CONFIDENTIAL INFORMATION WHICH MUST NOT BE DUPLICATED, USED, OR DISCLOSED OTHER THAN AS EXPRESSLY AUTHORIZED BY VICTOR INSULATORS, INC.

APPROVED  
 By A. E. Schwalm at 12:58 pm, Jun 01, 2009

05-29-09	REV'D OAL TOLERANCES	TM		D
01-04-01		PP	AS	C
05-24-00		PP		B
03-02-94		RR		A
11-06-91		BA	JA	



**Victor Insulators, Inc.**  
 280 MAPLE AVENUE  
 VICTOR, NEW YORK 14564  
 TELEPHONE: (585)924-2127

2135

FILE: 2135