

PIN TYPE INSULATOR

CAT. NO. 255R

ANSI. CLASS NO. 56-4

20

DIMENSIONS

1	ENG. MGR	LEAKAGE DISTANCE	IN	27
2	ENG	DRY ARCING DISTANCE	IN	11.25
	PURCH.	MINIMUM PIN HEIGHT	IN	10

MECHANICAL VALUES

		CANTILEVER STRENGTH	LB	3,000
--	--	---------------------	----	-------

ELECTRICAL VALUES

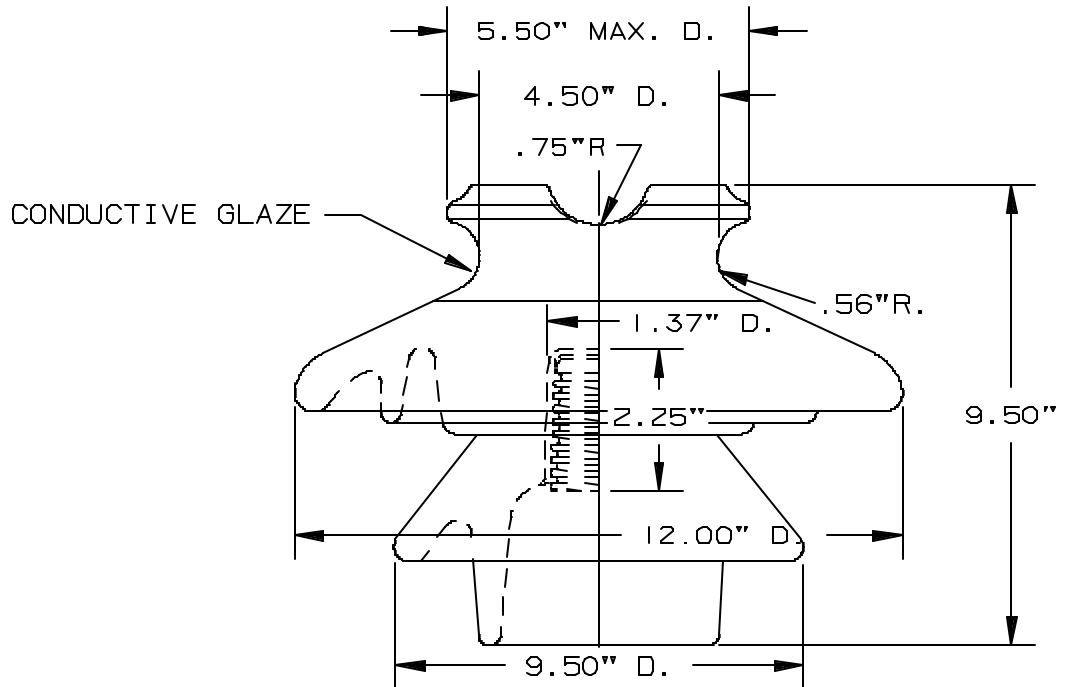
		60 HERTZ FLASHOVER-DRY	kV	140
		60 HERTZ FLASHOVER-WET	kV	95
		IMPULSE FLASHOVER-POS.	kV	225
		IMPULSE FLASHOVER-NEG.	kV	310
		60 HERTZ PUNCTURE VOLTAGE	kV	185

RADIO INFLUENCE VOLTAGE DATA

		60 HERTZ TEST VOLTAGE	kV	30
		RMS TO GND.		
		MAXIMUM RIV @ 1000 kHz		
		RADIO FREED	μV	200
		PLAIN	μV	16,000

PACKING INFORMATION

		NET WEIGHT , PER 100	LB	1,900
		PACKED WEIGHT , PER 100	LB	2,300
		NO. IN STANDARD PACKAGE		1



THIS DRAWING IS THE PROPERTY OF VICTOR INSULATORS, INC. AND CONTAINS PROPRIETARY AND CONFIDENTIAL INFORMATION WHICH MUST NOT BE DUPLICATED, USED, OR DISCLOSED OTHER THAN AS EXPRESSLY AUTHORIZED BY VICTOR INSULATORS, INC.



**Victor Insulators, Inc.**

280 MAPLE AVENUE  
 VICTOR, NEW YORK 14564  
 TELEPHONE: (716)924-2127

255R

09-30-97

TP PP AS