

19

FILE 41R

FOG BOWL INSULATOR

CAT. NO. 41R

J-NECK 1" PINHOLE

ENG. MGR  
ENG  
PURCH.  
MKTG.  
PLT. MGR.  
COST  
PROD.  
INSP  
GLAZE  
BUSHING  
MAKING  
SHIP  
ASSEM  
MODEL  
MACH.  
45  
TOOLING  
CER LAB  
EL LAB  
Q. A.

DIMENSIONS

|                     |    |      |
|---------------------|----|------|
| LEAKAGE DISTANCE    | IN | 21.5 |
| DRY ARCING DISTANCE | IN | 10.5 |
| MINIMUM PIN HEIGHT  | IN | 9    |

MECHANICAL VALUES

|                     |    |       |
|---------------------|----|-------|
| CANTILEVER STRENGTH | LB | 3,000 |
|---------------------|----|-------|

ELECTRICAL VALUES

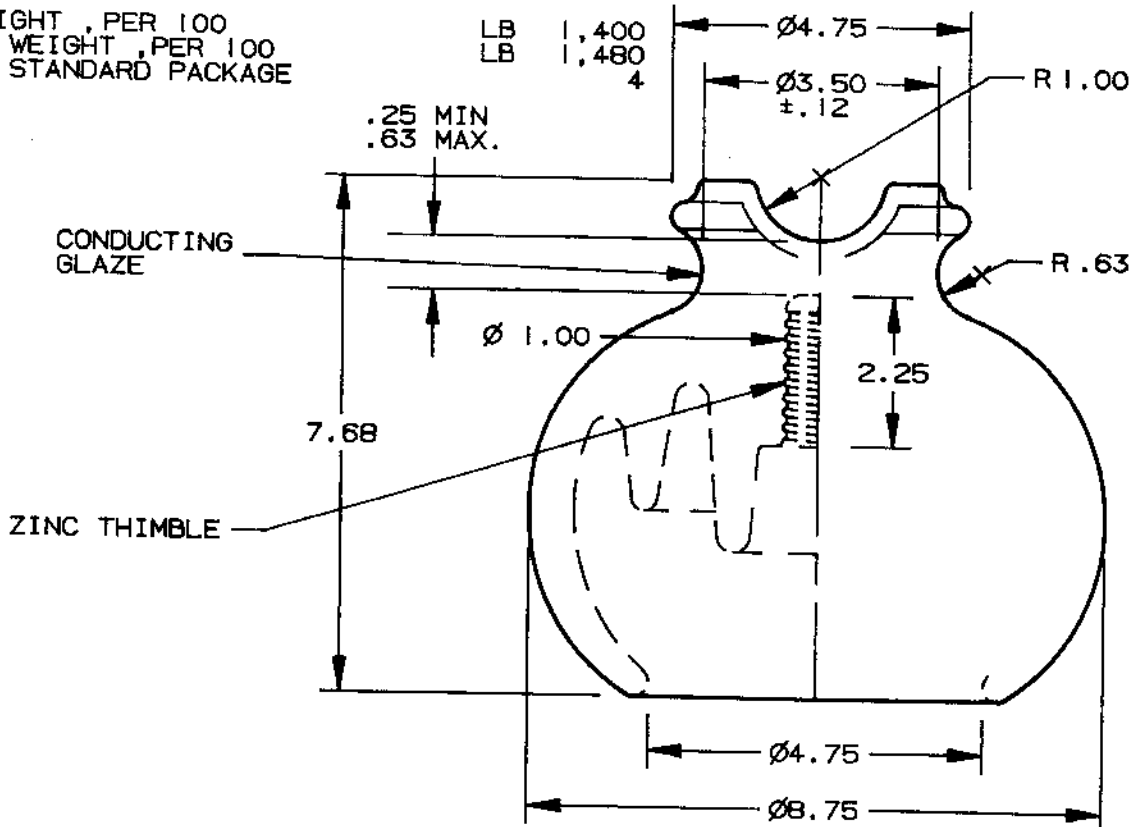
|                           |    |     |
|---------------------------|----|-----|
| 60 HERTZ FLASHOVER - DRY  | kV | 110 |
| 60 HERTZ FLASHOVER - WET  | kV | 60  |
| IMPULSE FLASHOVER - POS.  | kV | 180 |
| IMPULSE FLASHOVER - NEG.  | kV | 160 |
| 60 HERTZ PUNCTURE VOLTAGE | kV | 165 |

RADIO INFLUENCE VOLTAGE DATA

|                                    |         |     |
|------------------------------------|---------|-----|
| 60 HERTZ TEST VOLTAGE, RMS TO GRD. | kV      | 30  |
| MAXIMUM RIV @ 1000 KHZ             | $\mu$ V | 200 |

PACKING INFORMATION

|                         |    |       |
|-------------------------|----|-------|
| NET WEIGHT, PER 100     | LB | 1,400 |
| PACKED WEIGHT, PER 100  | LB | 1,480 |
| NO. IN STANDARD PACKAGE |    | 4     |



THIS DRAWING IS THE PROPERTY OF VICTOR INSULATORS, INC. AND CONTAINS PROPRIETARY AND CONFIDENTIAL INFORMATION WHICH MUST NOT BE DUPLICATED, REPRODUCED OR DISCLOSED OTHER THAN AS EXPRESSLY AUTHORIZED BY VICTOR INSULATORS, INC.

FILE 41R

4-25-95

TP KS



Victor Insulators, Inc.  
280 MAPLE AVENUE  
MAIL, P.O. BOX 8, VICTOR, NEW YORK 14584  
TELEPHONE: (716)924-2127

41R

SUPERSEDES 41R DATED 8-6-91