

19

FOG BOWL INSULATOR
 CAT. NO. 42R
 J-NECK | 3/8" PINHOLE

ENG. MGR
 ENG
 PURCH.
 MKTG.
 FLT. MGR.
 COST
 PROD.
 INSP
 GLAZE
 BUSHING
 MAKING
 SHIP
 ASSEM
 MODEL
 MACH.
 45
 TOOLING
 CER LAB
 EL LAB
 Q. A.

DIMENSIONS

| | | |
|---------------------|----|------|
| LEAKAGE DISTANCE | IN | 21.5 |
| DRY ARCING DISTANCE | IN | 10.5 |
| MINIMUM PIN HEIGHT | IN | 9 |

MECHANICAL VALUES

| | | |
|---------------------|----|-------|
| CANTILEVER STRENGTH | LB | 3,000 |
|---------------------|----|-------|

ELECTRICAL VALUES

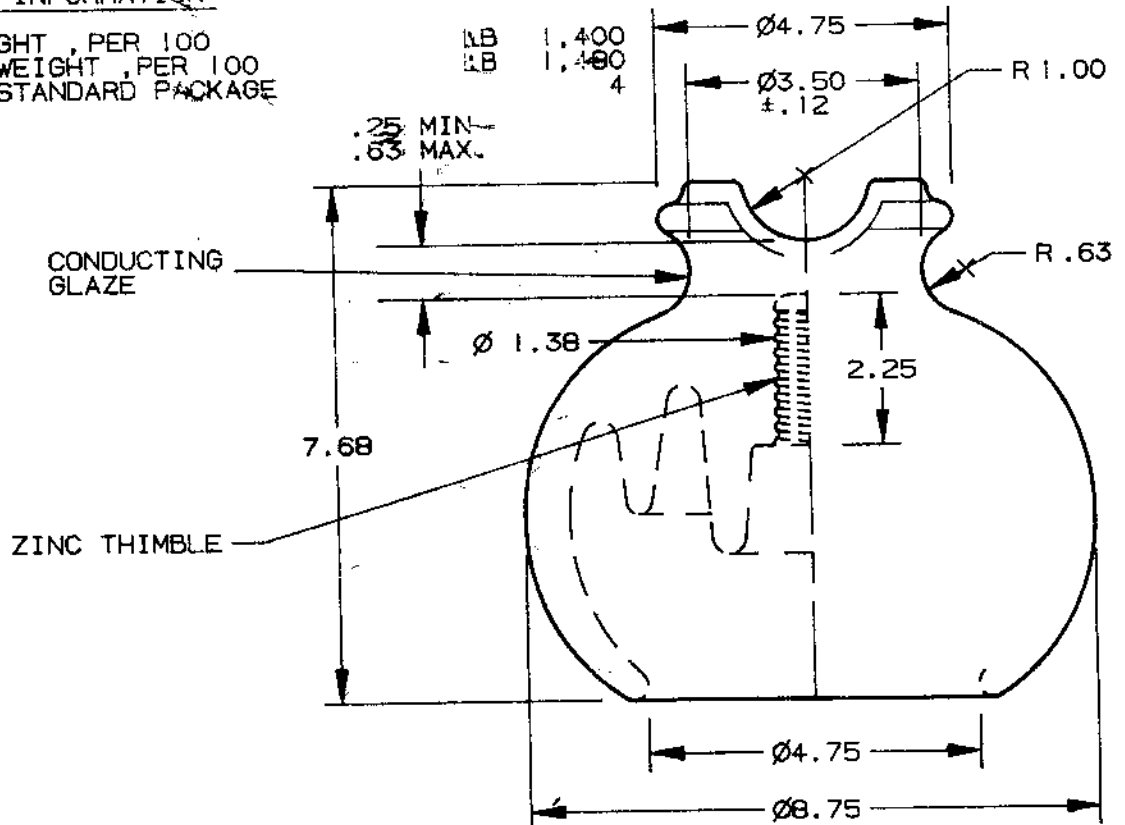
| | | |
|---------------------------|----|-----|
| 60 HERTZ FLASHOVER - DRY | kV | 110 |
| 60 HERTZ FLASHOVER - WET | kV | 60 |
| IMPULSE FLASHOVER - POS. | kV | 180 |
| IMPULSE FLASHOVER - NEG. | kV | 160 |
| 60 HERTZ PUNCTURE VOLTAGE | kV | 165 |

RADIO INFLUENCE VOLTAGE DATA

| | | |
|------------------------------------|----|-----|
| 60 HERTZ TEST VOLTAGE, RMS TO GRD. | kV | 30 |
| MAXIMUM RIV @ 1000 kHz | µV | 200 |

PACKING INFORMATION

| | | |
|-------------------------|----|-------|
| NET WEIGHT, PER 100 | LB | 1,400 |
| PACKED WEIGHT, PER 100 | LB | 1,400 |
| NO. IN STANDARD PACKAGE | | 4 |



THIS DRAWING IS THE PROPERTY OF VICTOR INSULATORS, INC. AND CONTAINS PROPRIETARY AND CONFIDENTIAL INFORMATION WHICH MUST NOT BE REPRODUCED, COPIED, OR LOANED TO OTHER THAN AS EXPRESSLY AUTHORIZED BY VICTOR INSULATORS, INC.

FILE 42R

4-25-95

TP *[Signature]*

Victor Insulators, Inc.
 250 MAPLE AVENUE
 MAILING P.O. BOX B, VICTOR, NEW YORK 14584
 TELEPHONE: (716) 924-2127

42R