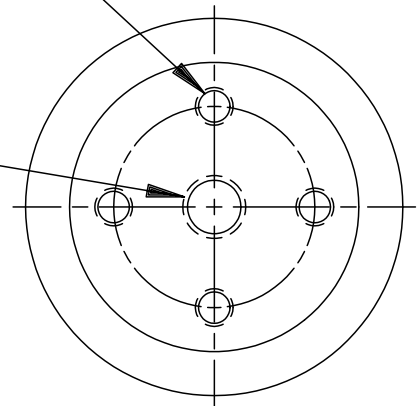


7

ENG. MGR.
 ENG.
 MKTG.
 EL. LAB

TOP AND BOTTOM INSERTS
 4, $\frac{3}{8}$ "-16 NC ON 2" B.C.
 $\frac{1}{2}$ " FULL THREAD

1, $\frac{5}{8}$ "-11 NC
 $\frac{3}{4}$ " FULL THREAD



MECHANICAL VALUES

CANTILEVER STRENGTH *	LB	750
TENSILE STRENGTH	LB	1,500
TORSION STRENGTH	IN-LB	1,500
COMPRESSION STRENGTH	LB	10,000

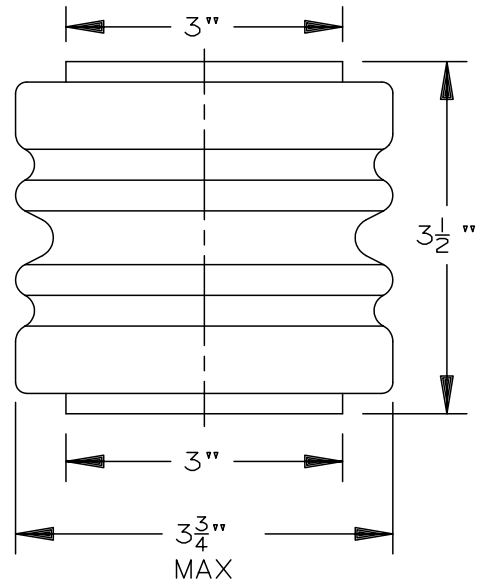
ELECTRICAL VALUES

NEMA, VOLTAGE RATING	kV	4.8
60 HERTZ WITHSTAND-DRY	kV	19
60 HERTZ WITHSTAND-DEW	kV	15
IMPULSE WITHSTAND	kV	60

PACKING INFORMATION

PACKED WEIGHT ,PER 100	LB	415
------------------------	----	-----

* CANTILEVER STRENGTH GIVEN
 2-1/2" ABOVE TOP.



THIS DRAWING IS THE PROPERTY OF
 VICTOR INSULATORS, INC. AND CONTAINS
 PROPRIETARY AND CONFIDENTIAL INFORMATION
 WHICH MUST NOT BE DUPLICATED, USED,
 OR DISCLOSED OTHER THAN AS EXPRESSLY
 AUTHORIZED BY VICTOR INSULATORS, INC.

APPROVED
 By A. E. Schwalm at 2:27 pm, Jun 18, 2015

06-18-15	TM	B
07-25-14	TM	A
01-31-08	TM	



Victor Insulators, Inc.
 280 MAPLE AVENUE
 VICTOR, NEW YORK 14564
 TELEPHONE: (585)924-2127

5651