

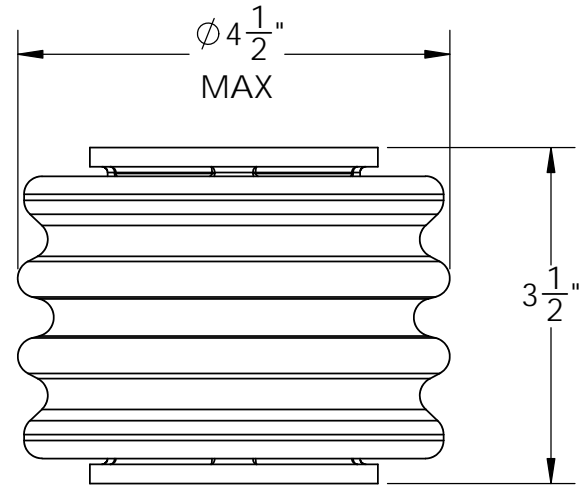
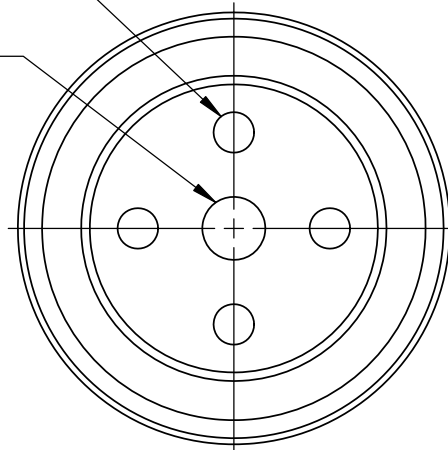
BUS SUPPORT

4.8 kV

CLASS A-20

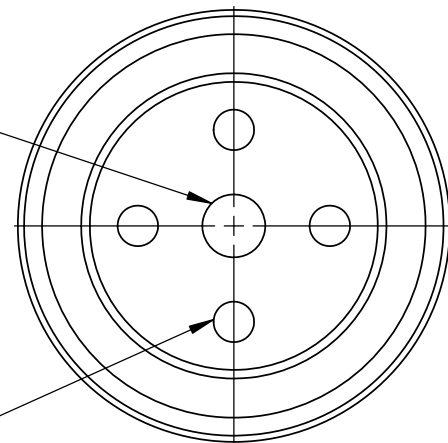
4 HOLES 3/8"-16  
1/2" DEEP  
ON 2" B.C.

1 HOLE  
5/8"-11  
3/4" DEEP



1 HOLE  
3/4"-10  
7/8" DEEP

4 HOLES 3/8"-16  
1/2" DEEP  
ON 2" B.C.



MECHANICAL VALUES

CANTILEVER STRENGTH	LB	1,000*
TENSILE STRENGTH	LB	2,000
TORSION STRENGTH	IN-LB	2,500
COMPRESSION STRENGTH	LB	20,000

ELECTRICAL VALUES

NEMA VOLTAGE RATING	kV	4.8
60 HERTZ WITHSTAND-DRY	kV	19
60 HERTZ WITHSTAND-DEW	kV	15
IMPULSE WITHSTAND	kV	60

PACKING INFORMATION

PACKED WEIGHT PER 100	LB	442
-----------------------	----	-----

\* CANTILEVER STRENGTH  
GIVEN 2 1/2" ABOVE TOP

THIS DRAWING IS THE PROPERTY OF VICTOR INSULATORS, INC. AND CONTAINS PROPRIETARY AND CONFIDENTIAL INFORMATION WHICH MUST NOT BE DUPLICATED, USED, OR DISCLOSED OTHER THAN AS EXPRESSLY AUTHORIZED BY VICTOR INSULATORS, INC.

**APPROVED**  
By A. E. Schwalm at 6:16 am, Oct 28, 2016



**Victor Insulators, Inc.**  
280 Maple Avenue  
Victor, New York 14564  
Telephone: (585)924-2127  
www.victorinsulators.com

5750

10-27-16

TM