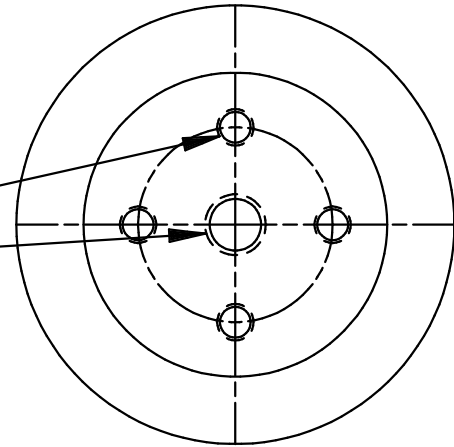


7

1 ENG. MGR.
 2 ENG.
 PURCH.
 1 MKTG.
 PLT. MGR.
 COST
 PROD.
 INSP.
 GLAZE
 BUSHING
 MAKING
 SHIP.
 ASSEM.
 MODEL
 MACH.
 45
 TOOLING
 CER. LAB.
 EL. LAB.
 E. MEDIA

TOP INSERT

4 - $\frac{3}{8}$ "-16 N.C. ON 2" B.C.
 $\frac{1}{2}$ " FULL THREAD
 1 - $\frac{1}{8}$ "-11 N.C. X
 $\frac{3}{4}$ " FULL THREAD



← \varnothing 3" →

MECHANICAL VALUES

CANTILEVER STRENGTH	LB	1,500*
TENSILE STRENGTH	LB	3,000
TORSION STRENGTH	IN-LB	3,500
COMPRESSION STRENGTH	LB	20,000

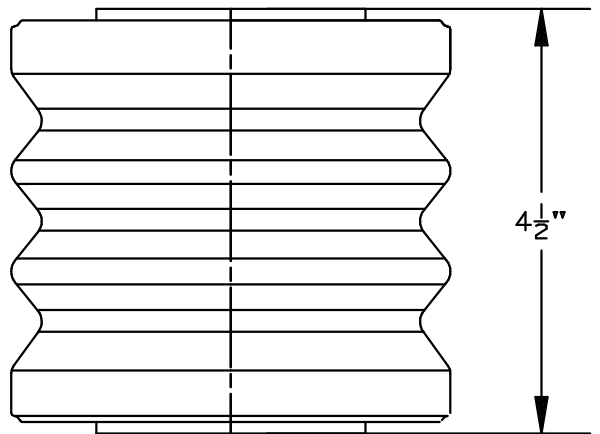
ELECTRICAL VALUES

NEMA VOLTAGE RATING	kV	7.2
60 HERTZ WITHSTAND-DRY	kV	26
60 HERTZ WITHSTAND-DEW	kV	24
IMPULSE WITHSTAND	kV	75

PACKING INFORMATION

PACKED WEIGHT PER 100 LB 600

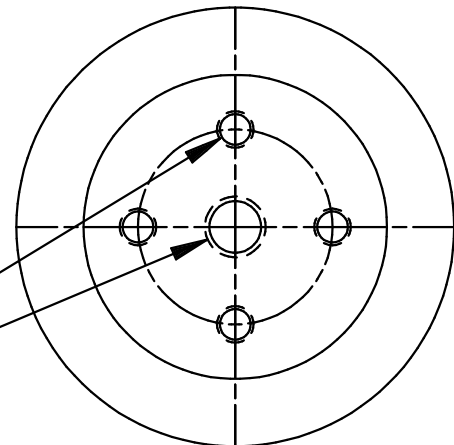
* CANTILEVER STRENGTH GIVEN
 2 1/2" ABOVE TOP.



← \varnothing 4 1/2" MAX. →

BOTTOM INSERT

4 - $\frac{3}{8}$ "-16 N.C. ON 2" B.C.
 $\frac{1}{2}$ " FULL THREAD
 1 - $\frac{3}{4}$ "-10 N.C. X
 $\frac{7}{8}$ " FULL THREAD



APPROVED
 By A. E. Schwalm at 12:58 pm, Aug 06, 2014

THIS DRAWING IS THE PROPERTY OF VICTOR INSULATORS, INC. AND CONTAINS PROPRIETARY AND CONFIDENTIAL INFORMATION WHICH MUST NOT BE DUPLICATED, USED OR DISCLOSED OTHER THAN AS EXPRESSLY AUTHORIZED BY VICTOR INSULATORS, INC.

07-29-14		TM	A
11-13-09		TM	



Victor Insulators, Inc.

280 MAPLE AVENUE
 VICTOR, NEW YORK 14564
 TELEPHONE: (585)924-2127

5751

FILE: 5751