

BUS SUPPORT

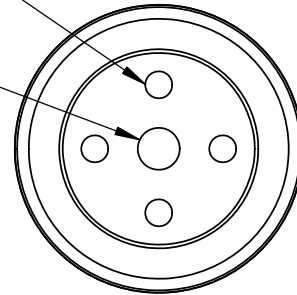
14.4 kV

CLASS A-20

7

4 HOLES 3/8"-16
1/2" DEEP ON 2" B.C.

1 CENTER HOLE 5/8"-11
3/4" DEEP



MECHANICAL VALUES

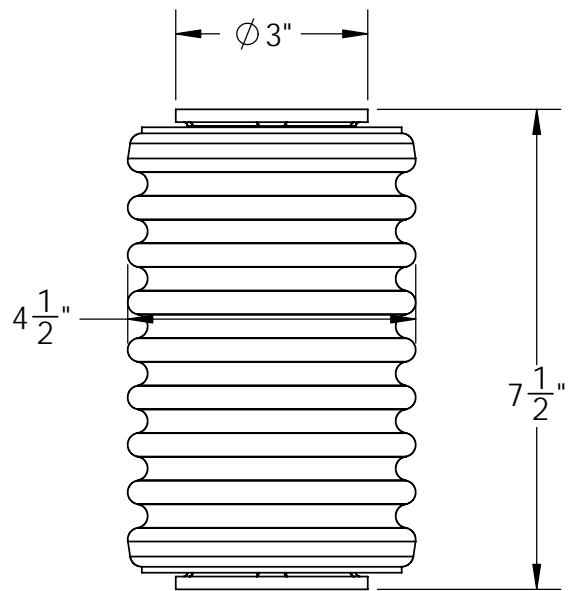
CANTILEVER STRENGTH	LB	1,000 *
TENSILE STRENGTH	LB	3,000
TORSION STRENGTH	IN-LB	3,500
COMPRESSION STRENGTH	LB	20,000

ELECTRICAL VALUES

NEMA VOLTAGE RATING	kV	14.4
60 HERTZ WITHSTAND-DRY	kV	50
60 HERTZ WITHSTAND-DEW	kV	30
IMPULSE WITHSTAND	kV	110

PACKING INFORMATION

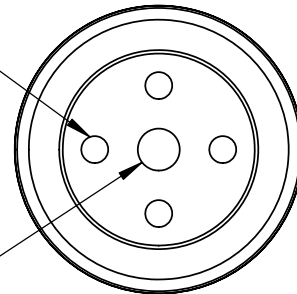
PACKED WEIGHT PER 100	LB	933
-----------------------	----	-----



* CANTILEVER STRENGTH
GIVEN 2 1/2" ABOVE TOP

4 HOLES 3/8"-16
1/2" DEEP ON 2" B.C.

1 CENTER HOLE 3/4"-10
1" DEEP



THIS DRAWING IS THE PROPERTY OF VICTOR INSULATORS, INC. AND CONTAINS PROPRIETARY AND CONFIDENTIAL INFORMATION WHICH MUST NOT BE DUPLICATED, USED, OR DISCLOSED OTHER THAN AS EXPRESSLY AUTHORIZED BY VICTOR INSULATORS, INC.

APPROVED
By A. E. Schwalm at 1:48 pm, Feb 14, 2017



Victor Insulators, Inc.

280 Maple Avenue
Victor, New York 14564
Telephone: (585)924-2127
www.victorinsulators.com

5753

02-14-17

TM

PART NO. 5753