

BUS SUPPORT

7.2 kV

CLASS A-30

7

ENG. MGR.

2 ENG.

PURCH.

1 MKTG.

PLT. MGR.

CDST

1 PRDD.

INSP.

GLAZE

BUSHING

MAKING

1 SHIP.

1 ASSEM.

MODEL

MACH.

45

TOOLING

CER. LAB.

1 EL. LAB.

Q.A.

MECHANICAL VALUES

CANTILEVER STRENGTH	LB	3,000 *
TENSILE STRENGTH	LB	5,000
TORSION STRENGTH	IN-LB	6,000
COMPRESSION STRENGTH	LB	30,000

ELECTRICAL VALUES

NEMA VOLTAGE RATING	kV	7.2
60 HERTZ WITHSTAND-DRY	kV	26
60 HERTZ WITHSTAND-DEW	kV	24
IMPULSE WITHSTAND	kV	75

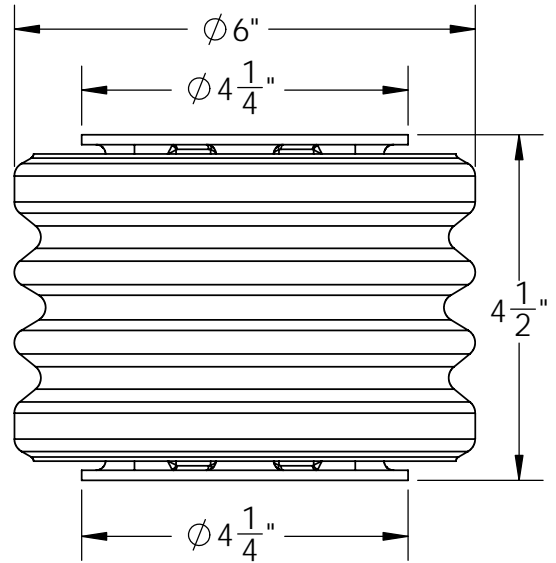
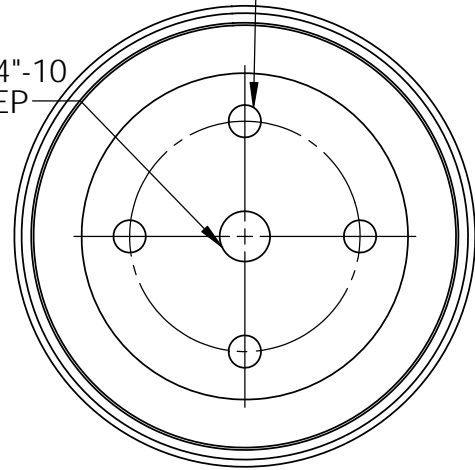
PACKING INFORMATION

PACKED WEIGHT PER 100	LB	1,300
-----------------------	----	-------

* CANTILEVER STRENGTH
GIVEN 2 1/2" ABOVE TOP

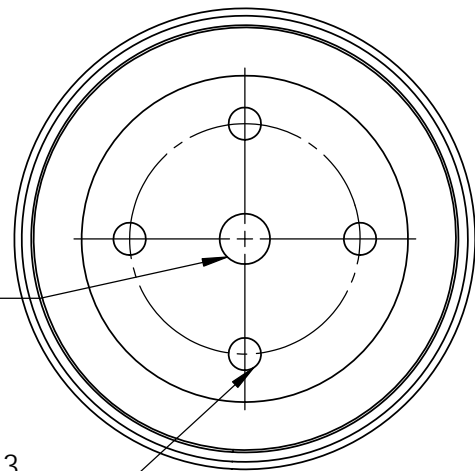
4 HOLES 1/2"-13
5/8" DEEP ON 3" B.C.

1 HOLE 3/4"-10
7/8" DEEP



1 HOLE 3/4"-10
7/8" DEEP

4 HOLES 1/2"-13
5/8" DEEP ON 3" B.C.



THIS DRAWING IS THE PROPERTY OF VICTOR INSULATORS, INC. AND CONTAINS PROPRIETARY AND CONFIDENTIAL INFORMATION WHICH MUST NOT BE DUPLICATED, USED, OR DISCLOSED OTHER THAN AS EXPRESSLY AUTHORIZED BY VICTOR INSULATORS, INC.

APPROVED
By A. E. Schwalm at 6:50 am, Jul 22, 2015

07-22-15

TM



Victor Insulators, Inc.

280 Maple Avenue
Victor, New York 14564
Telephone: (585)924-2127
www.victorinsulators.com

5851-35

SUPERSEDES DWG 5851-35 DATED 02-05-92

PART NO. 5851-35