

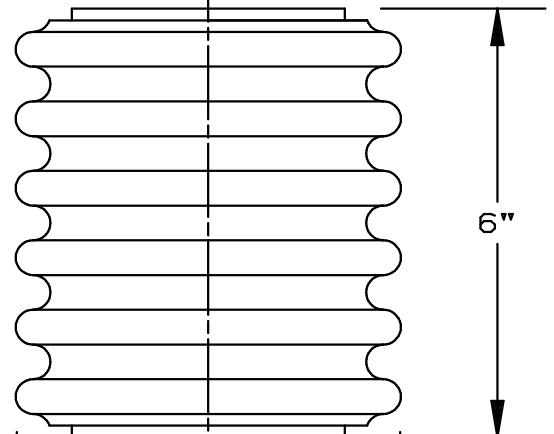
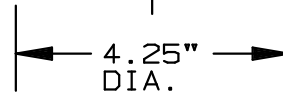
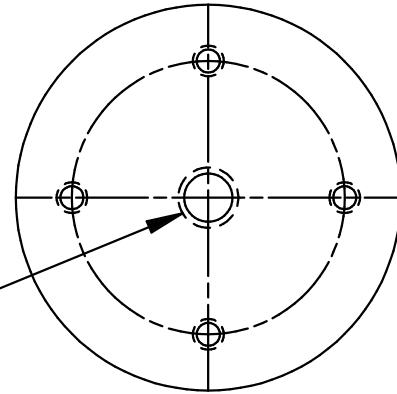
INDOOR BUS SUPPORT

7

ENG. MGR.
 ENG.
 PURCH.
 MKTG.
 PLT. MGR.
 COST
 PROD.
 INSP.
 GLAZE
 BUSHING
 MAKING
 SHIP.
 ASSEM.
 MODEL
 MACH.
 45
 TOOLING
 CER. LAB.
 EL. LAB.
 Q. A.

TOP & BOTTOM
4-HOLES
 N.C. ON 3" B.C.
 1/4" DP.

TOP AND BOTTOM
 3/4-10 NC-2
 7/8" DEEP



MECHANICAL VALUES

CANTILEVER STRENGTH	LB	2,500*
TENSILE STRENGTH	LB	5,000
TORSION STRENGTH	IN-LB	6,000
COMPRESSION STRENGTH	LB	30,000

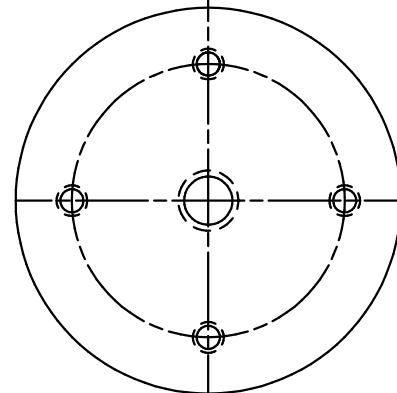
ELECTRICAL VALUES

NEMA VOLTAGE RATING	kV	13.2
60 HERTZ WITHSTAND-DRY	kV	36
60 HERTZ WITHSTAND-DEW	kV	26
IMPULSE WITHSTAND	kV	95

PACKING INFORMATION

PACKED WEIGHT PER 100	LB	1,625
-----------------------	----	-------

* CANTILEVER STRENGTH GIVEN
 2 1/2" ABOVE TOP.



THIS DRAWING IS THE PROPERTY OF
 VICTOR INSULATORS, INC. AND CONTAINS
 PROPRIETARY AND CONFIDENTIAL INFORMATION
 WHICH MUST NOT BE DUPLICATED, USED,
 OR DISCLOSED OTHER THAN AS EXPRESSLY
 AUTHORIZED BY VICTOR INSULATORS, INC.

APPROVED

By A. E. Schwalm at 2:23 pm, Apr 11, 2014

04-11-14

TM

9-20-00

DF

AS



Victor Insulators, Inc.

280 MAPLE AVENUE
 VICTOR, NEW YORK 14564
 TELEPHONE: (585)924-2127

5852-33

5852-33