

**BUS SUPPORT**

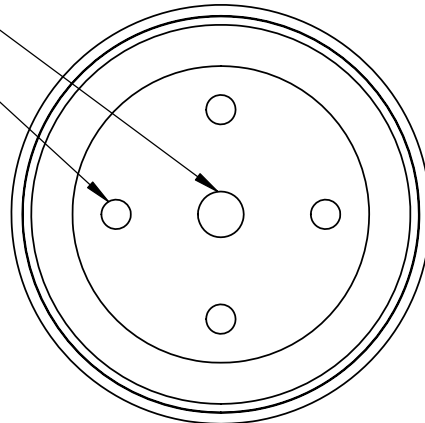
14.4 kV

CLASS A-30

7

1 HOLES 3/4"-10  
7/8" DEEP

4 HOLES 1/2"-13  
5/8" DEEP ON 3" B.C.



MECHANICAL VALUES

CANTILEVER STRENGTH	LB	2,000 *
TENSILE STRENGTH	LB	5,000
TORSION STRENGTH	IN-LB	6,000
COMPRESSION STRENGTH	LB	30,000

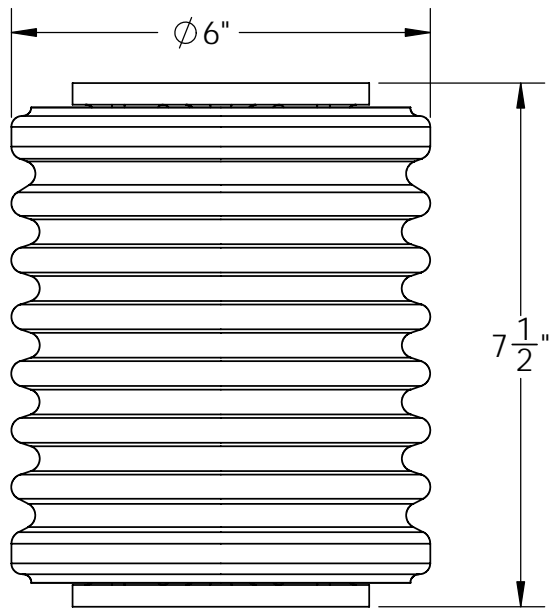
ELECTRICAL VALUES

NEMA VOLTAGE RATING	kV	14.4
60 HERTZ WITHSTAND-DRY	kV	50
60 HERTZ WITHSTAND-DEW	kV	30
IMPULSE WITHSTAND	kV	110

PACKING INFORMATION

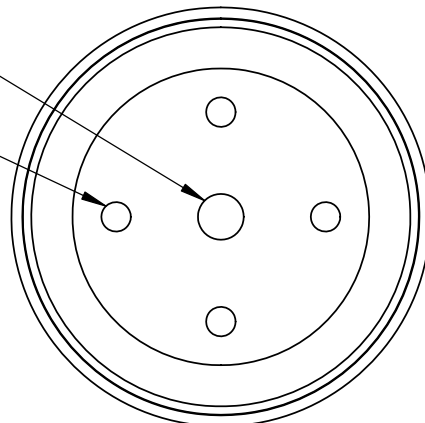
PACKED WEIGHT PER 100	LB	1,925
-----------------------	----	-------

\* CANTILEVER STRENGTH  
GIVEN 2 1/2" ABOVE TOP



1 HOLES 3/4"-10  
7/8" DEEP

4 HOLES 1/2"-13  
5/8" DEEP ON 3" B.C.



THIS DRAWING IS THE PROPERTY OF VICTOR INSULATORS, INC. AND CONTAINS PROPRIETARY AND CONFIDENTIAL INFORMATION WHICH MUST NOT BE DUPLICATED, USED, OR DISCLOSED OTHER THAN AS EXPRESSLY AUTHORIZED BY VICTOR INSULATORS, INC.

APPROVED  
By A. E. Schwalm at 9:16 am, Feb 18, 2016



Victor Insulators, Inc.

280 Maple Avenue  
Victor, New York 14564  
Telephone: (585)924-2127  
www.victorinsulators.com

5853-32

02-18-16

TM