

BUS SUPPORT

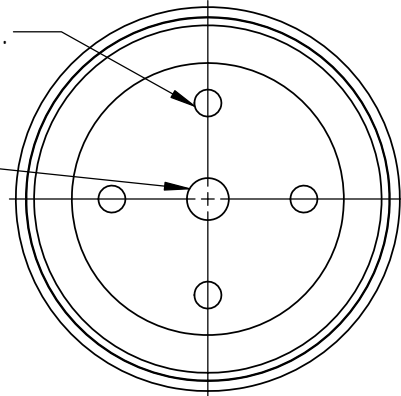
23 kV

CLASS A-30

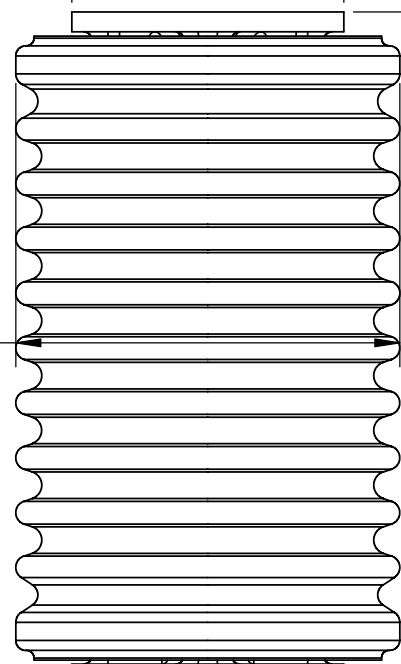
7

4 HOLES 1/2"-13  
5/8" DEEP ON 3" B.C.

1 HOLE 3/4"-10  
7/8" DEEP



$\phi 4 \frac{1}{4}$ "



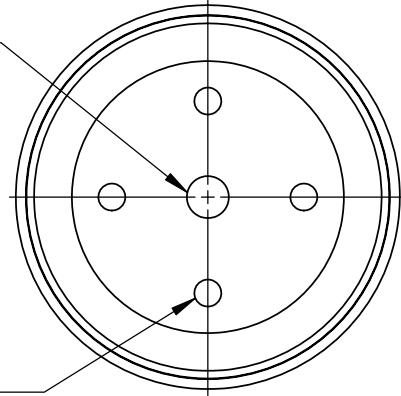
$\phi 6$ "

10  $\frac{1}{2}$ "

$\phi 4 \frac{1}{4}$ "

1 HOLE 3/4"-10  
7/8" DEEP

4 HOLES 1/2"-13  
5/8" DEEP ON 3" B.C.



MECHANICAL VALUES

|                      |       |         |
|----------------------|-------|---------|
| CANTILEVER STRENGTH  | LB    | 1,500 * |
| TENSILE STRENGTH     | LB    | 5,000   |
| TORSION STRENGTH     | IN-LB | 6,000   |
| COMPRESSION STRENGTH | LB    | 30,000  |

ELECTRICAL VALUES

|                        |    |     |
|------------------------|----|-----|
| NEMA VOLTAGE RATING    | kV | 23  |
| 60 HERTZ WITHSTAND-DRY | kV | 60  |
| 60 HERTZ WITHSTAND-DEW | kV | 40  |
| IMPULSE WITHSTAND      | kV | 150 |

PACKING INFORMATION

|                       |    |       |
|-----------------------|----|-------|
| PACKED WEIGHT PER 100 | LB | 2,900 |
|-----------------------|----|-------|

\* CANTILEVER STRENGTH  
GIVEN 2 1/2" ABOVE TOP

THIS DRAWING IS THE PROPERTY OF VICTOR INSULATORS, INC. AND CONTAINS PROPRIETARY AND CONFIDENTIAL INFORMATION WHICH MUST NOT BE DUPLICATED, USED, OR DISCLOSED OTHER THAN AS EXPRESSLY AUTHORIZED BY VICTOR INSULATORS, INC.

**APPROVED**  
By A. E. Schwalm at 1:18 pm, Jul 24, 2015



Victor Insulators, Inc.

280 Maple Avenue  
Victor, New York 14564  
Telephone: (585)924-2127  
www.victorinsulators.com

5854-33

07-24-15

TM

SUPERSEDES DWG 5854-33 DATED 06-03-05

PART NO. 5854-33