

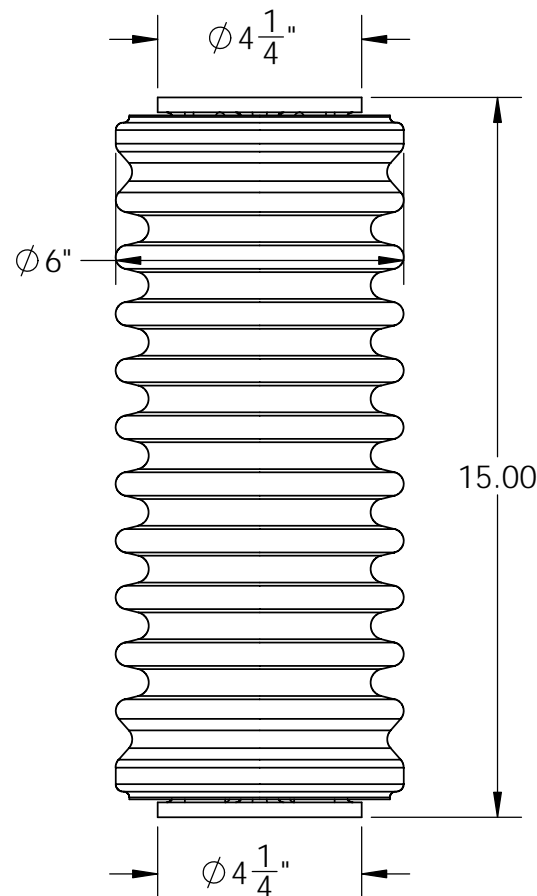
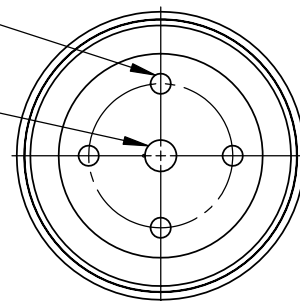
BUS SUPPORT

NEMA CLASS A-30

34.5 kV

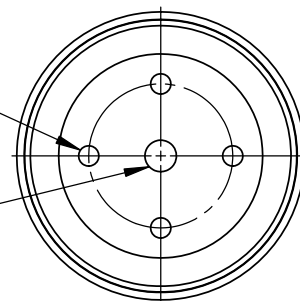
4 HOLES 1/2"-13
5/8" DEEP
ON 3" B.C.

1 HOLE 5/8"-11
3/4" DEEP



4 HOLES 1/2"-13
5/8" DEEP
ON 3" B.C.

1 HOLE 5/8"-11
3/4" DEEP



MECHANICAL VALUES

CANTILEVER STRENGTH	LB	1,250 *
TENSILE STRENGTH	LB	5,000
TORSION STRENGTH	IN-LB	6,000
COMPRESSION STRENGTH	LB	30,000

ELECTRICAL VALUES

NEMA VOLTAGE RATING	kV	34.5
60 HERTZ WITHSTAND-DRY	kV	80
60 HERTZ WITHSTAND-DEW	kV	-
IMPULSE WITHSTAND	kV	200

PACKING INFORMATION

PACKED WEIGHT PER 100	LB	4,000
-----------------------	----	-------

* CANTILEVER STRENGTH
GIVEN 2 1/2" ABOVE TOP

- ENG. MGR.
- 2 ENG.
- PURCH.
- 1 MKTG.
- PLT. MGR.
- CDST
- 1 PRDD.
- INSP.
- GLAZE
- BUSHING
- MAKING
- 1 SHIP.
- 1 ASSEM.
- MODEL
- MACH.
- 45
- TOOLING
- CER. LAB.
- 1 EL. LAB.
- Q.A.

THIS DRAWING IS THE PROPERTY OF VICTOR INSULATORS, INC. AND CONTAINS PROPRIETARY AND CONFIDENTIAL INFORMATION WHICH MUST NOT BE DUPLICATED, USED, OR DISCLOSED OTHER THAN AS EXPRESSLY AUTHORIZED BY VICTOR INSULATORS, INC.

APPROVED
By A. E. Schwalm at 4:54 pm, Aug 11, 2015



Victor Insulators, Inc.

280 Maple Avenue
Victor, New York 14564
Telephone: (585)924-2127
www.victorinsulators.com

5855-34

07-28-15

TM

SUPERSEDES DWG 5855-34 DATED 10-21-98

PART NO. 5855-34