

<b>LINE POST</b>	
CAT. NO. 62055	
34.5 kV	ANSI CLASS 57-2
F NECK	

**DIMENSIONS:**

LEAKAGE DISTANCE IN 22  
 DRY ARCING DISTANCE IN 9.5

**MECHANICAL VALUES:**

CANTILEVER STRENGTH LB 2,800

**ELECTRICAL VALUES:**

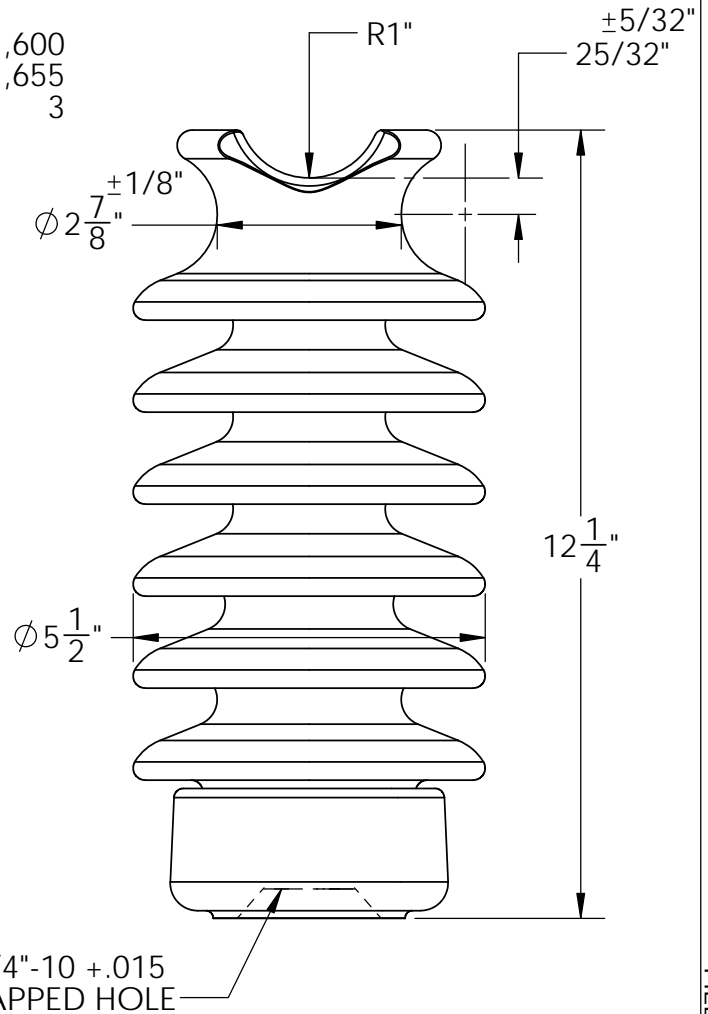
60 HERTZ FLASHOVER-DRY kV 100  
 60 HERTZ FLASHOVER-WET kV 70  
 IMPULSE FLASHOVER-POSITIVE kV 180

**RADIO INFLUENCE VOLTAGE DATA:**

60 HERTZ TEST VOLTAGE TO GROUND kV 22  
 MAXIMUM R.I.V. @ 1000 kHz  $\mu$ V 100

**PACKAGING INFORMATION:**

NET WEIGHT, PER 100 LB 1,600  
 PACKED WEIGHT, PER 100 LB 1,655  
 NO. IN STANDARD PACKAGE 3



- 1 ENG. MGR
- 2 ENG
- PURCH.
- 1 MKTG.
- PLT.MGR.
- COST
- PRD.
- INSP
- GLAZE
- BUSHING
- MAKING
- SHIP
- ASSEM
- MODEL
- MACH.
- 45
- TOOLING
- CER LAB
- 1 EL LAB
- 1 E.MEDIA

THIS DRAWING IS THE PROPERTY OF VICTOR INSULATORS, INC. AND CONTAINS PROPRIETARY AND CONFIDENTIAL INFORMATION WHICH MUST NOT BE DUPLICATED, USED, OR DISCLOSED OTHER THAN AS EXPRESSLY AUTHORIZED BY VICTOR INSULATORS, INC.

**APPROVED**  
 By A. E. Schwalm at 5:33 pm, Sep 07, 2016

09-07-16

TM



**Victor Insulators, Inc.**  
 280 Maple Avenue  
 Victor, New York 14564  
 Telephone: (585)924-2127  
 www.victorinsulators.com

**62055**